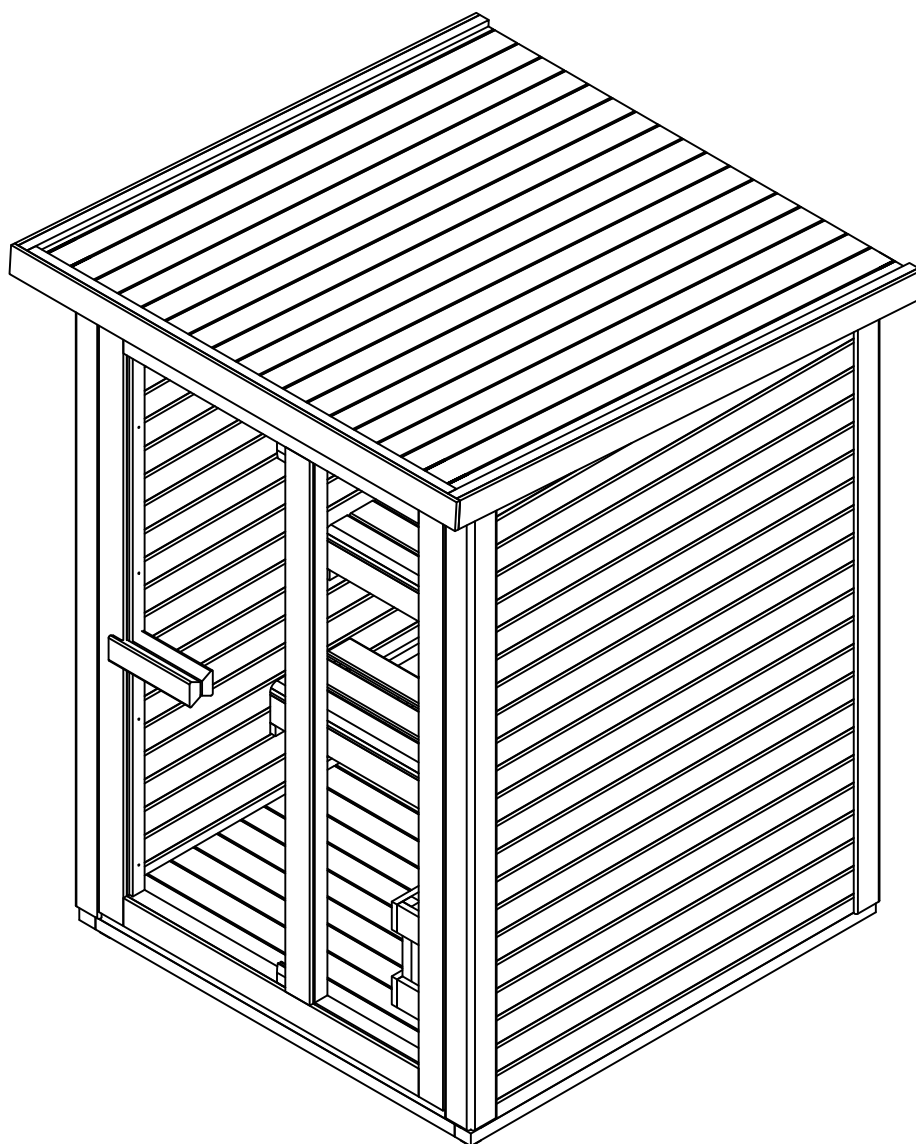


User's manual

EN



LIFE 145

PREFACE

Thank you very much for purchasing our product.

Please read this manual carefully before assembling and save it afterwards. Please write down the control box serial number of the cabin as this number will be required in case of repair or order of spare parts.

ATTENTION

Installation and repair should only be done by a qualified electrician!

Check power supply rating and make sure the grounded outlet is correctly connected before installation.

Use original parts only. Do not share the outlet with any other appliances.

When not in use, turn off the cabin's power unit.

Locate your cabin indoors and on a flat, level and dry surface. A protective cover for the Sauna is required.

DANGER

Covering the heaters causes a fire hazard due to overheating. Do not cover the heaters !

Keep flammable or easily combustible materials/objects (eg.towels) away from the heater at all times.

Do not touch the heater during and shortly after use as a burning hazard exists due to hot parts.

The light bulb heats in use. If the bulb needs to be changed, unplug the cabin and let the bulb cool down before changing it.

Should the electrical connection get damaged, it must be replaced-either by the manufacturer or by a licensed electrician!

WARNING

If you suffer from illness or other health-related problems, especially heart conditions or circulatory disturbances or if you take medication, you should consult a doctor before using the Sauna.

Children and frail persons should never be in the cabin without supervision.

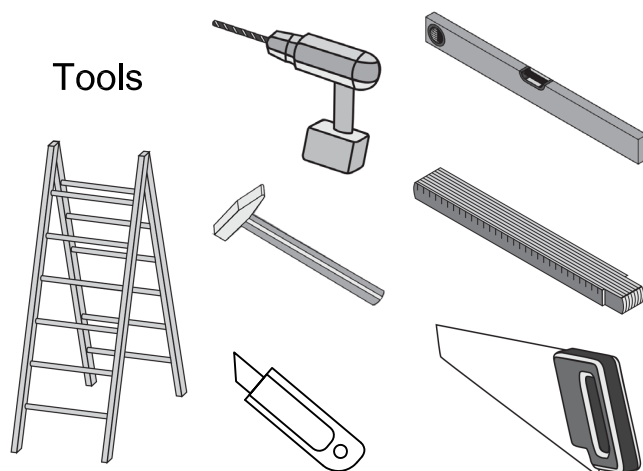
If you feel uncomfortable while using the Sauna, stop immediately and consult with your doctor.

Never go to a hot Sauna if you have taken alcohol, strong medicines or narcotics.

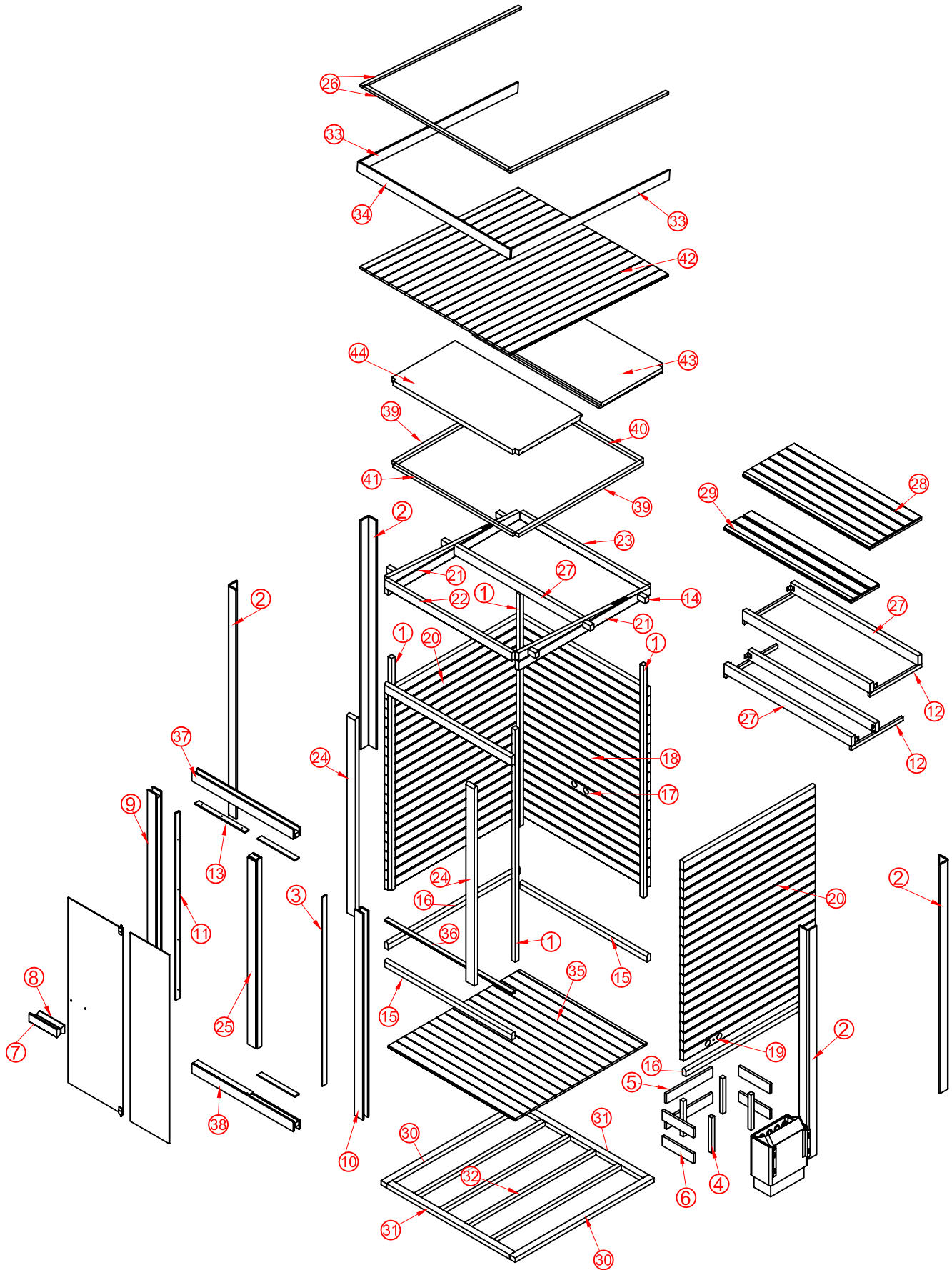
Technical data

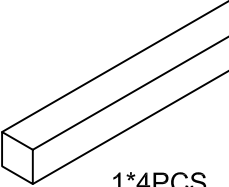
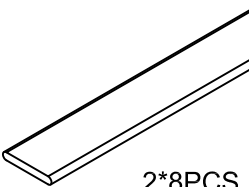
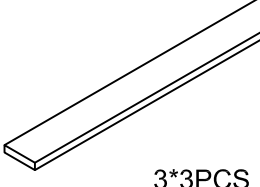
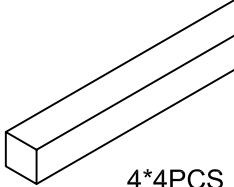
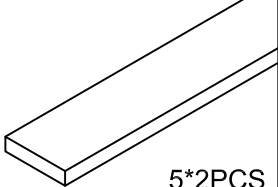
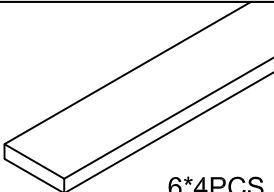
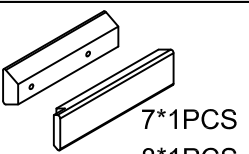
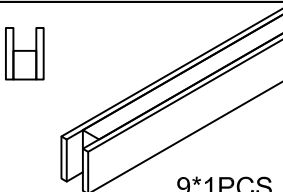
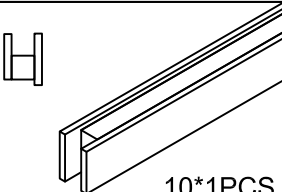
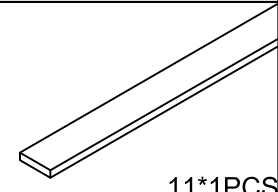
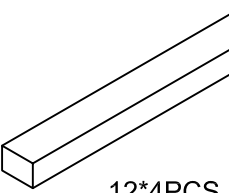
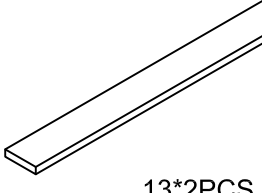
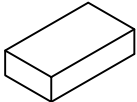
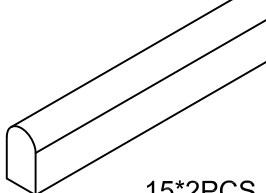
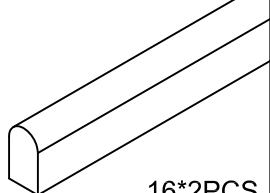
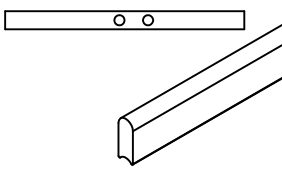
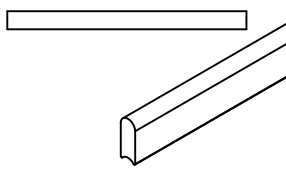
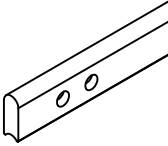
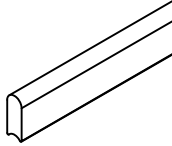
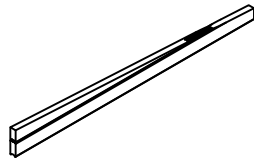
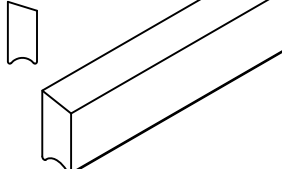
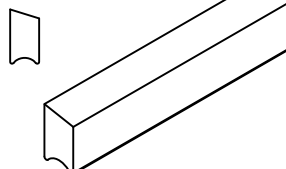
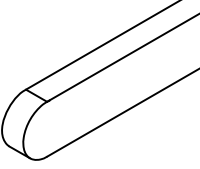
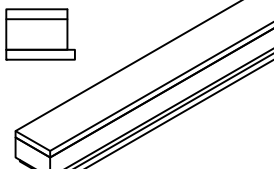

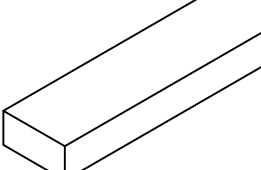
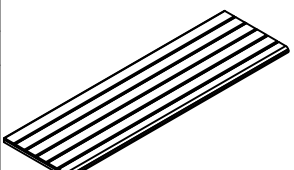
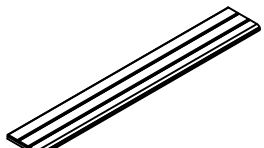
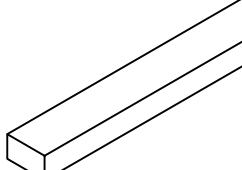
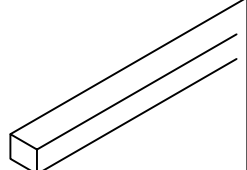
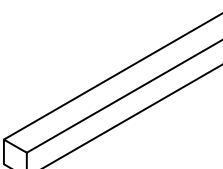
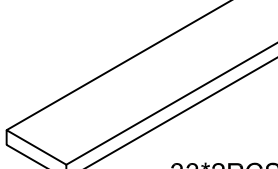
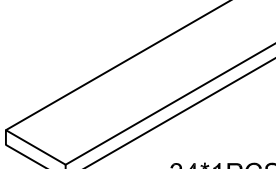
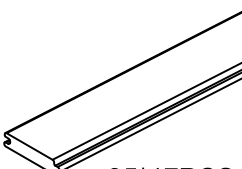
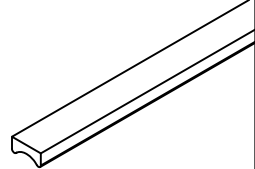
Model	Sauna house 145
Cabin material	Spruce wood
Depth	1450mm
Width	1500mm
Height	2200mm
Voltage	AC380V
Sauna stove	4.5KW

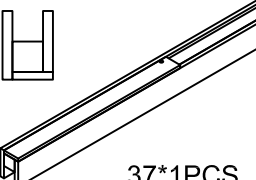
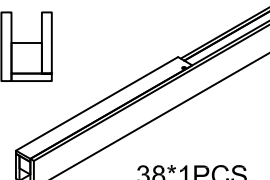
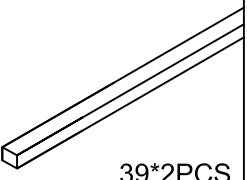
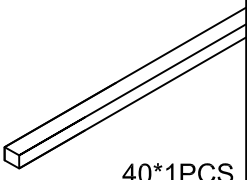
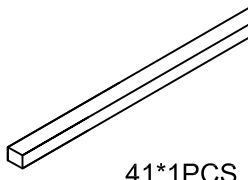
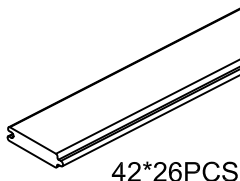
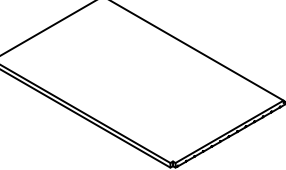
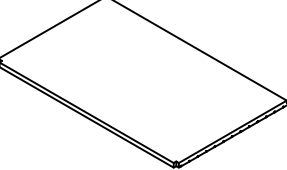

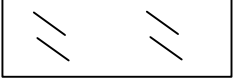
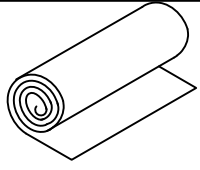
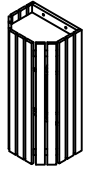

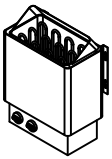


Tools

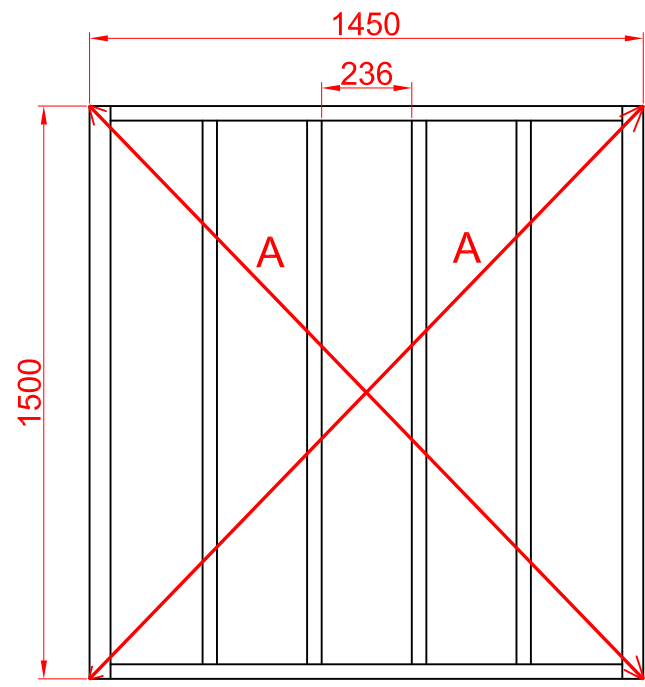
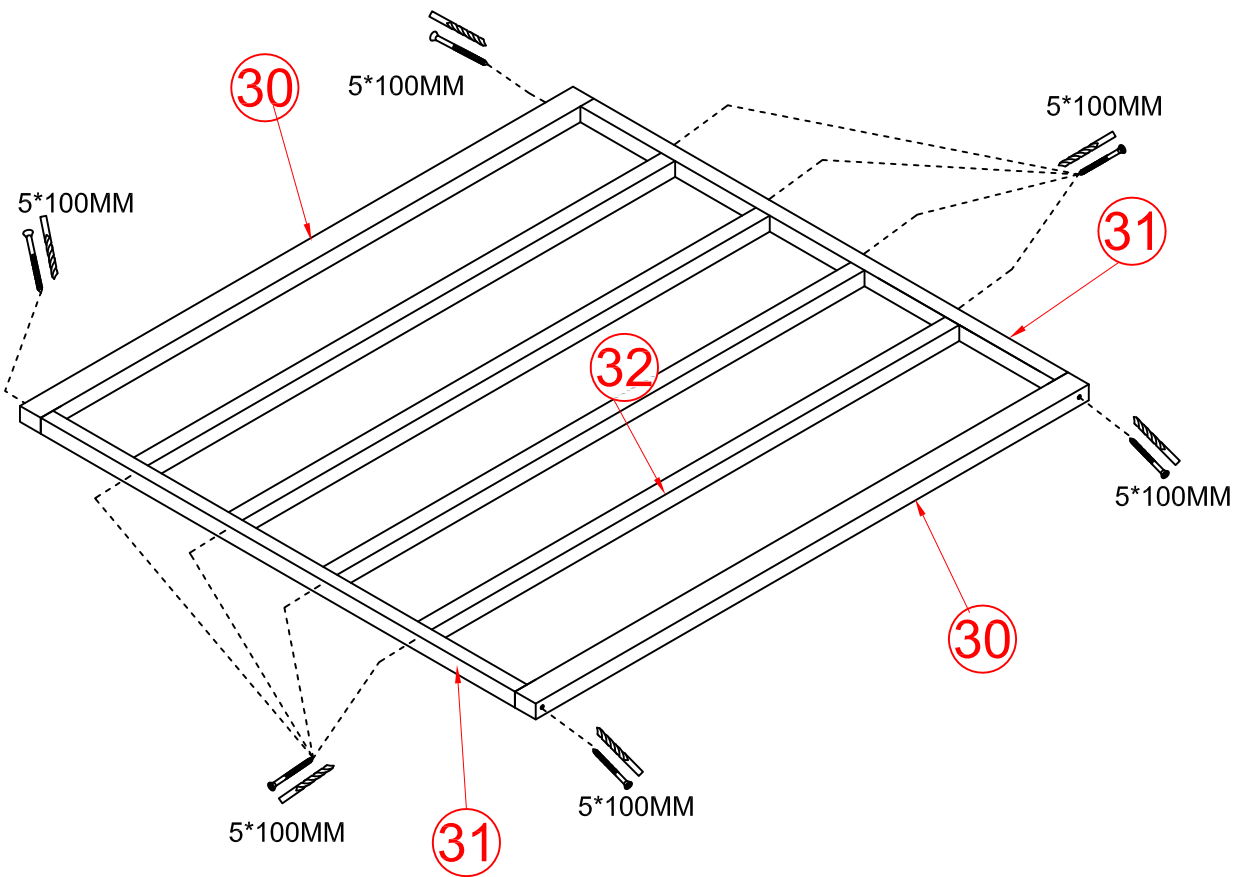


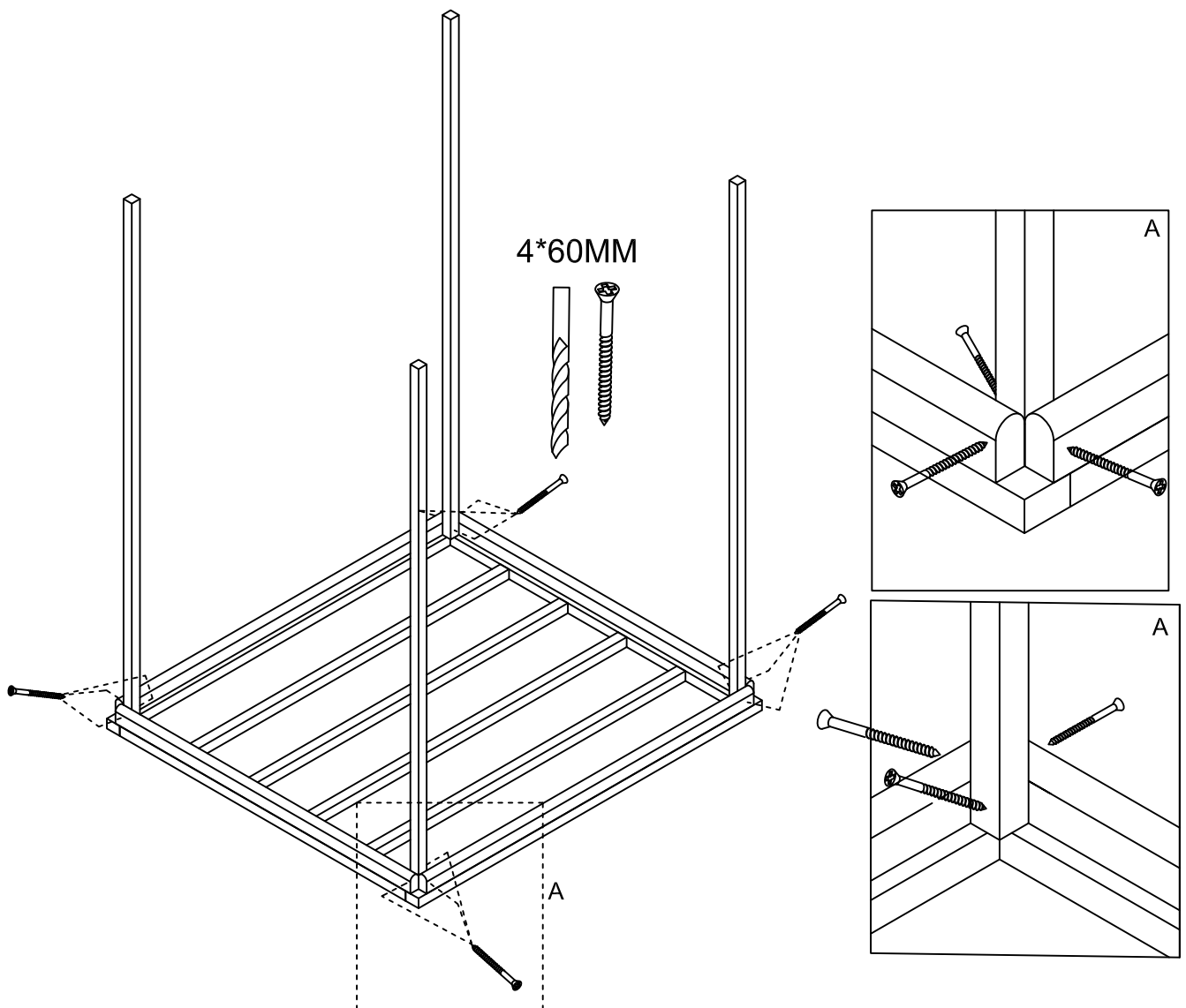
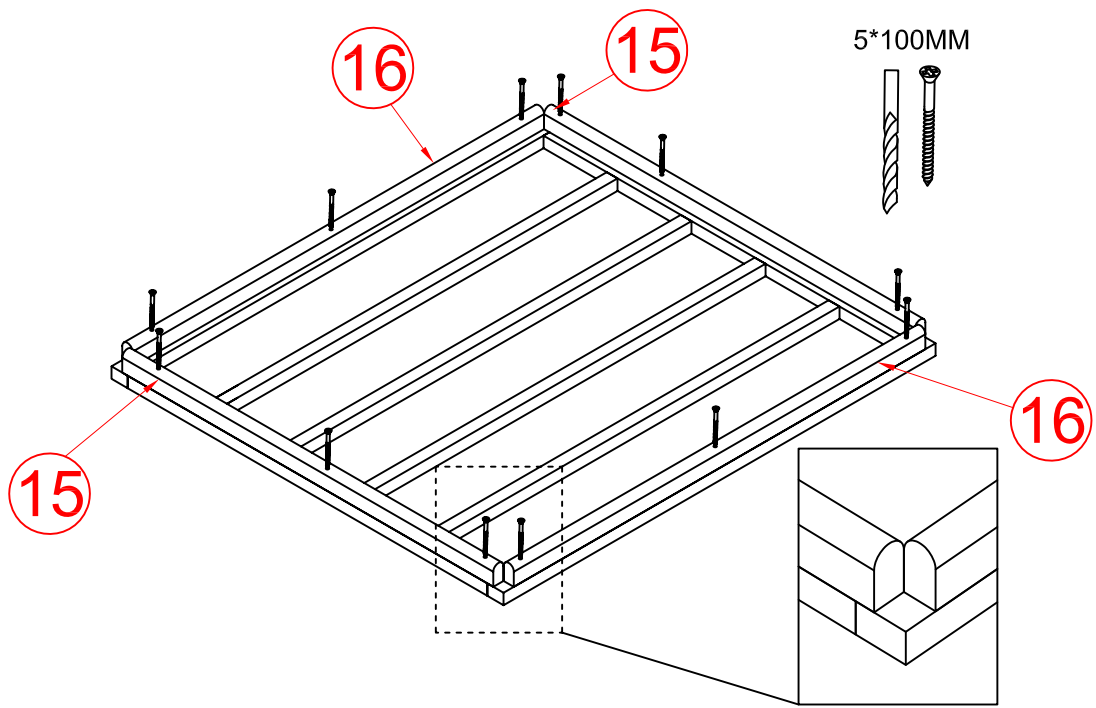
PARTS LIST

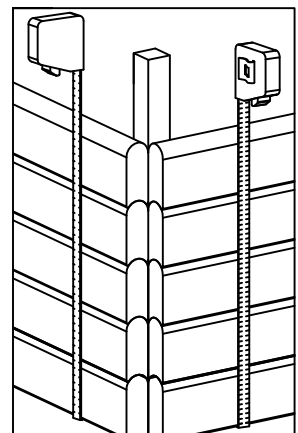
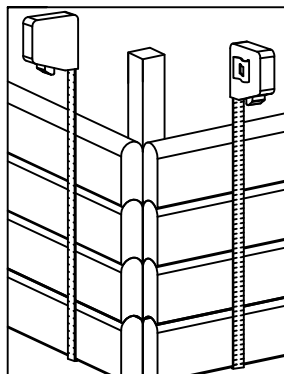
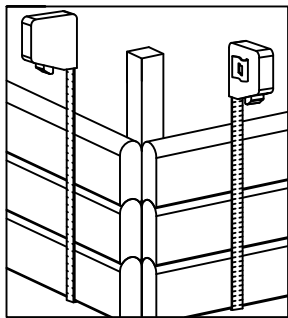
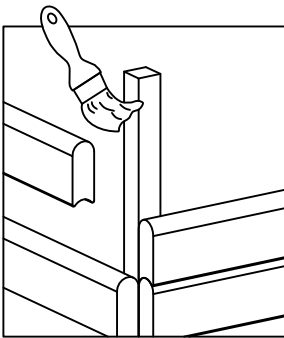
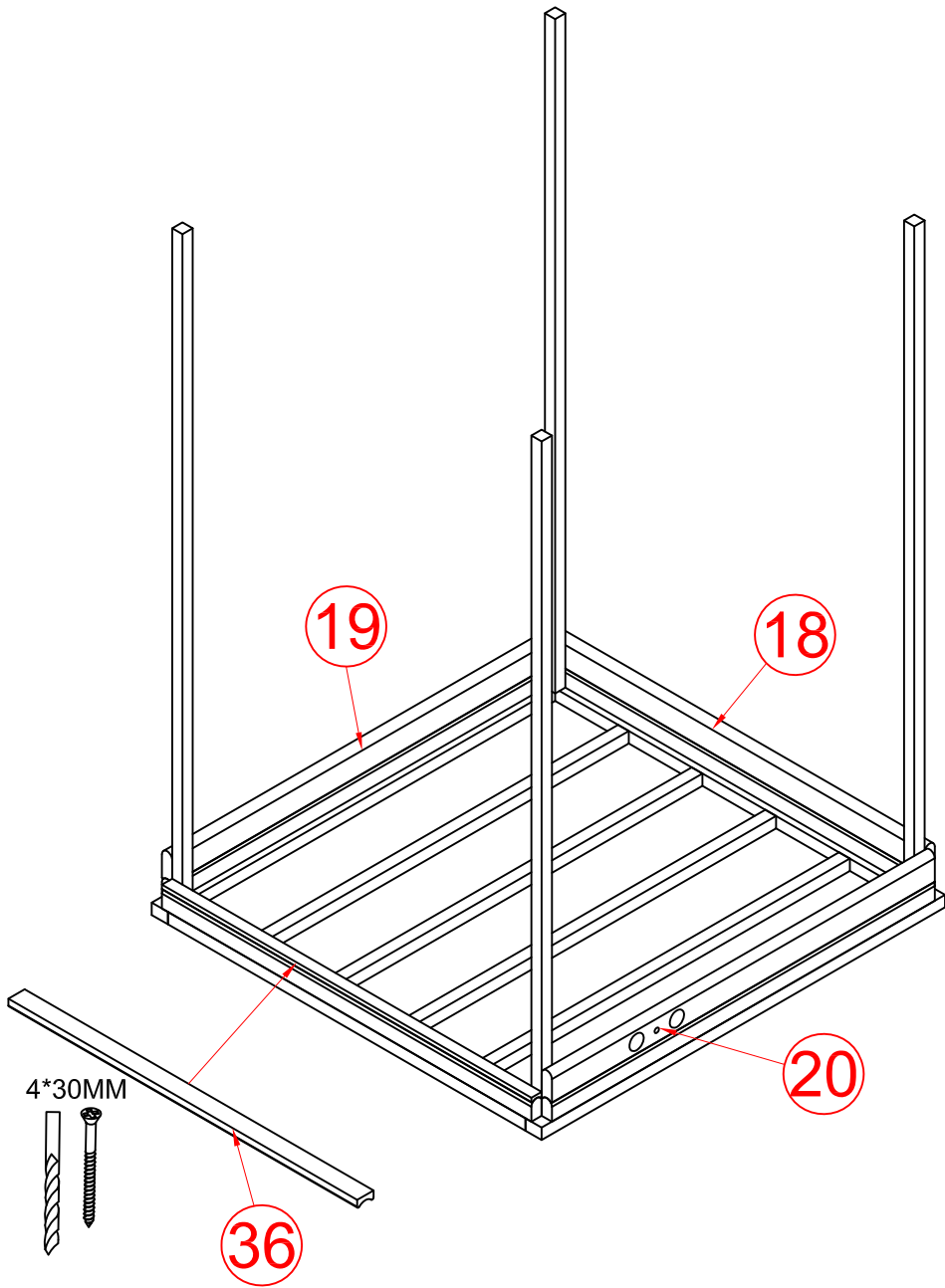


 1*4PCS	 2*8PCS	 3*3PCS	 4*4PCS	 5*2PCS
2188*38*38mm	2140*90*13mm	1767*47*10mm	330*33*33mm	570*90*20mm
 6*4PCS	 7*1PCS 8*1PCS	 9*1PCS	 10*1PCS	 11*1PCS
360*90*20mm	252*80*40mm 300*80*40mm	1927*90*66mm	1927*90*66mm	1747*40*13mm
 12*4PCS	 13*2PCS	 14*6PCS	 15*2PCS	 16*2PCS
553*33*20mm	537*40*13mm	87*50*38mm	1374*67*38mm	1424*67*38mm
 17*1PCS	 18*21PCS	 19*1PCS	 20*41PCS	 21*2PCS
1374*97*38mm	1374*97*38mm	1424*97*38mm	1424*97*38mm	1424*167*38mm
 22*1PCS	 23*1PCS	 24*3PCS	 25*1PCS	 26*3PCS
1374*81*38mm	1374*71*38mm	1885*90*38mm	1767*90*60mm	1714*33*13mm
 27*5PCS	 28*1PCS	 29*1PCS	 30*2PCS	 31*2PCS
1374*90*38mm	1372*553*33mm	1372*300*33mm	1500*55*38mm	1340*38*38mm
 32*4PCS	 33*2PCS	 34*1PCS	 35*17PCS	 36*1PCS
1424*38*38mm	1727*90*20mm	1650*90*20mm	1372*97*20mm	1374*38*17mm

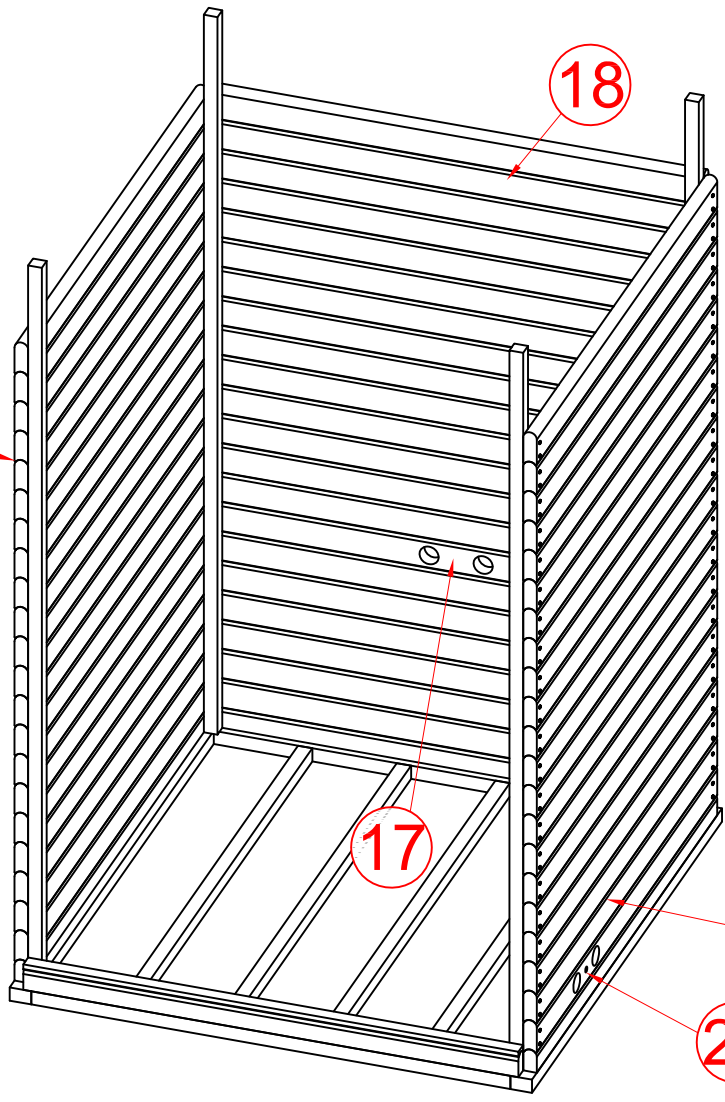
 37*1PCS	 38*1PCS	 39*2PCS	 40*1PCS	 41*1PCS
1104*90*66mm	1104*90*66mm	1346*38*30mm	1296*38*30mm	1296*25*30mm
 42*26PCS	 43*1PCS	 44*1PCS	 45*1PCS	 46*1PCS
1727*97*20mm	1372*722*44mm	1372*709*44mm	1733*594*6mm	1764*421*6mm
 47*1PCS	 48*1PCS			
5000*1000MM	300*142*105MM	Sauna light	Sauna stove	
 4*30MM 122PCS 4*40MM 118PCS 4*50MM 30PCS 4*60MM 320PCS 5*100MM 48PCS 3*16MM 1PCS	 6*60MM 2PCS			



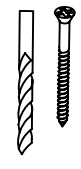




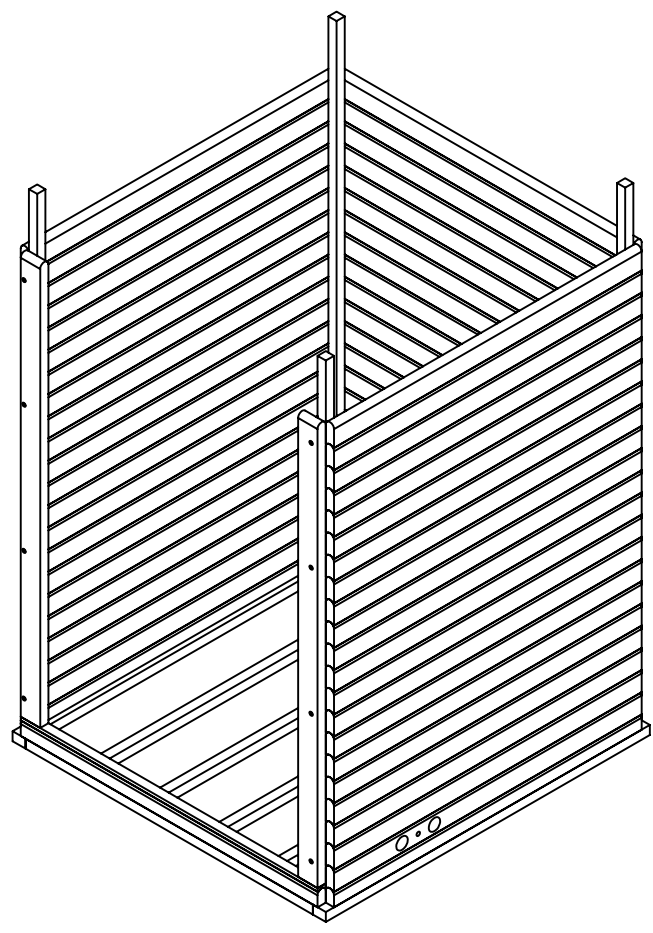
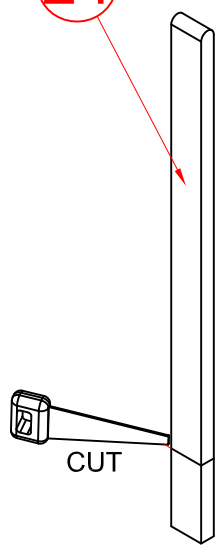
19*21PCS

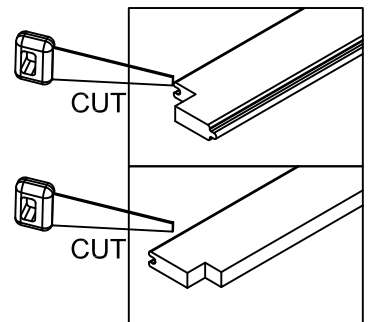
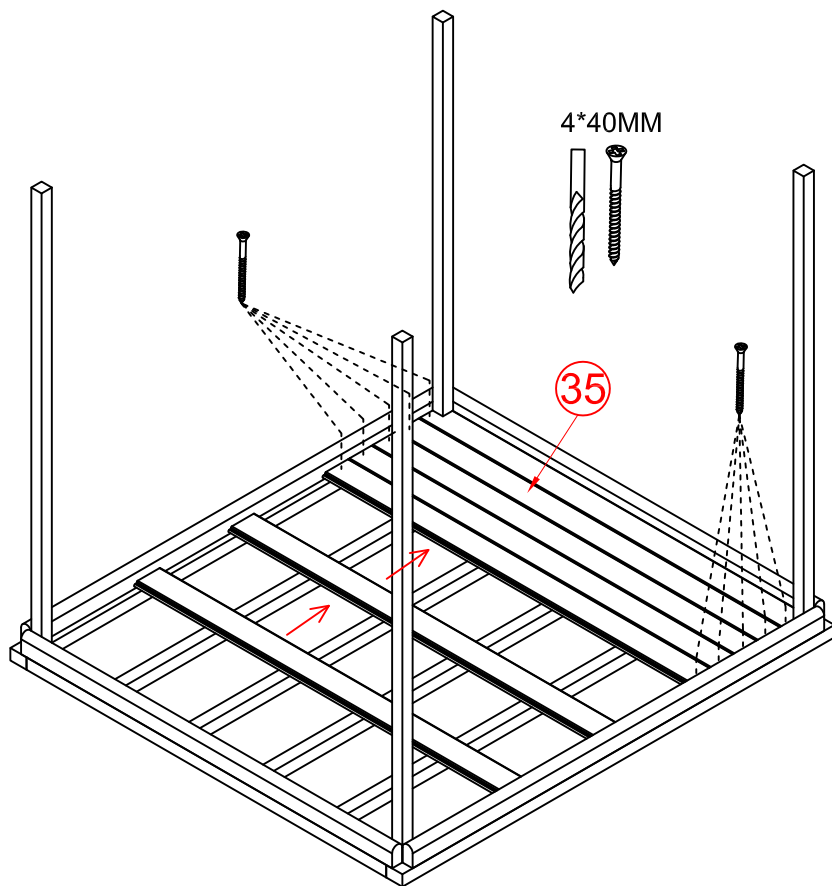
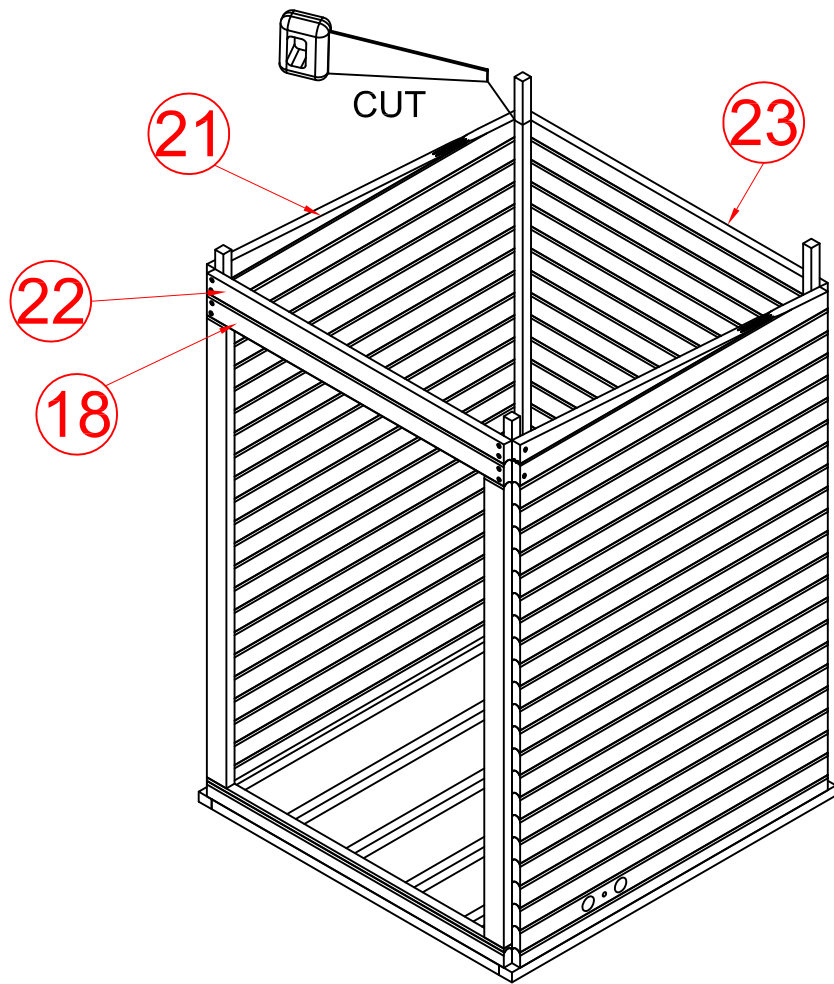


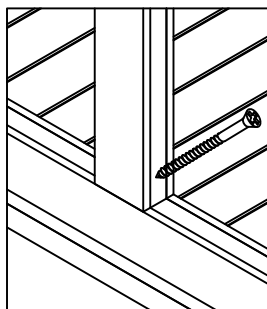
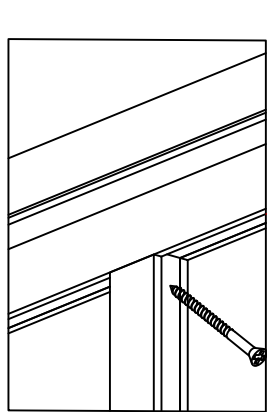
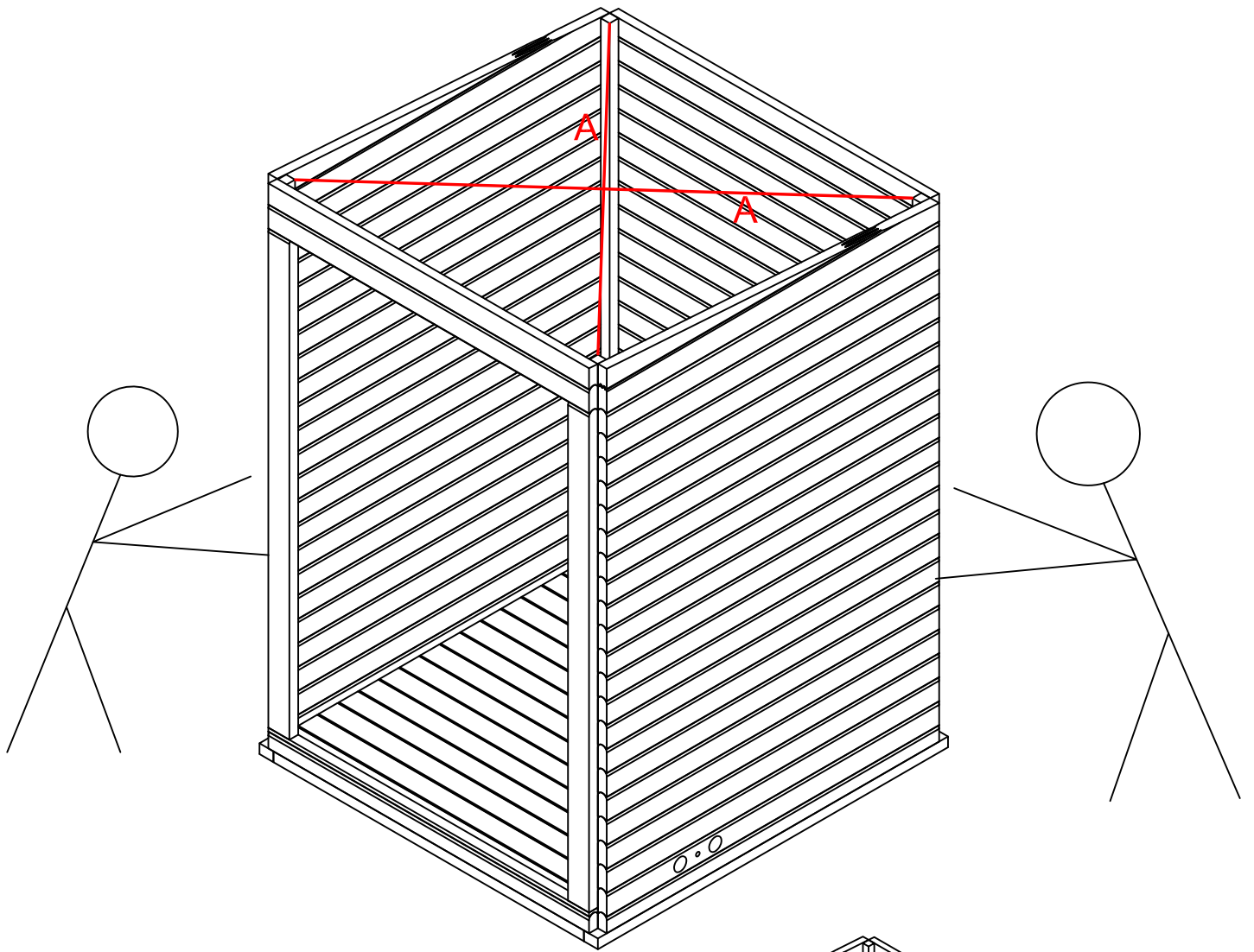
4*60MM



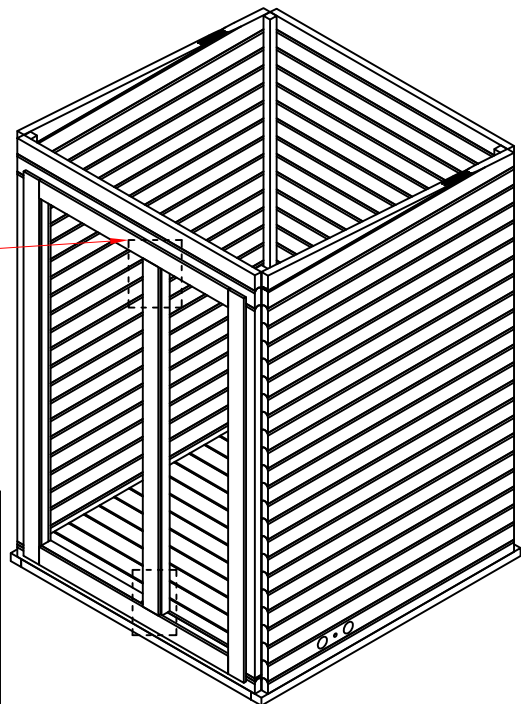
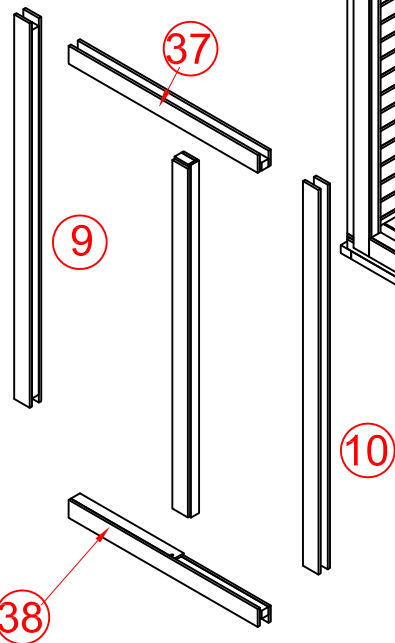
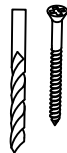
24

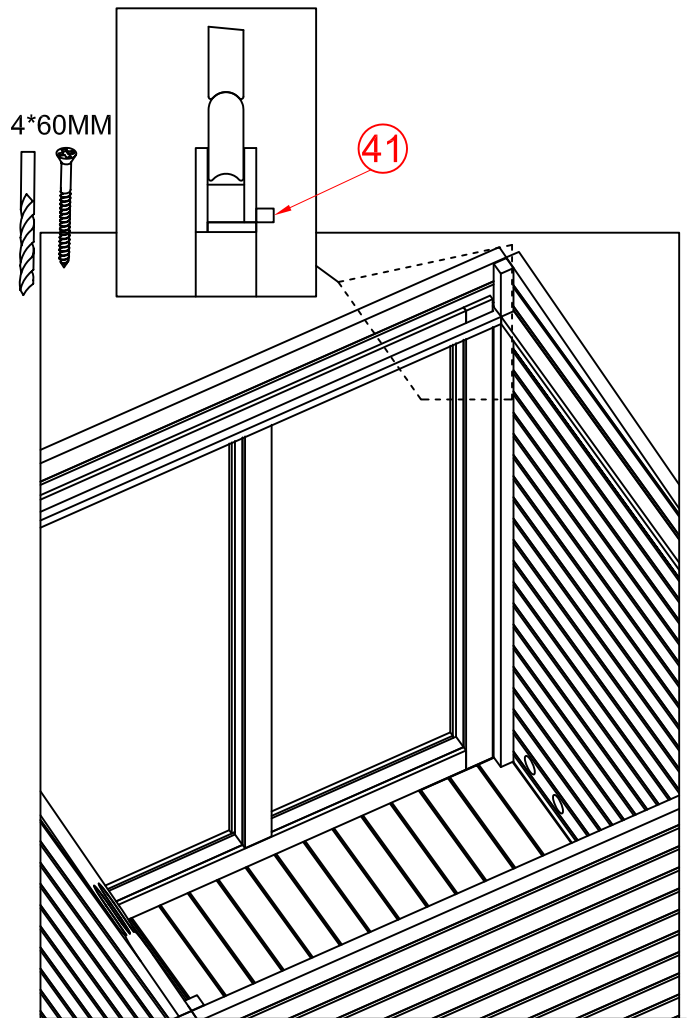
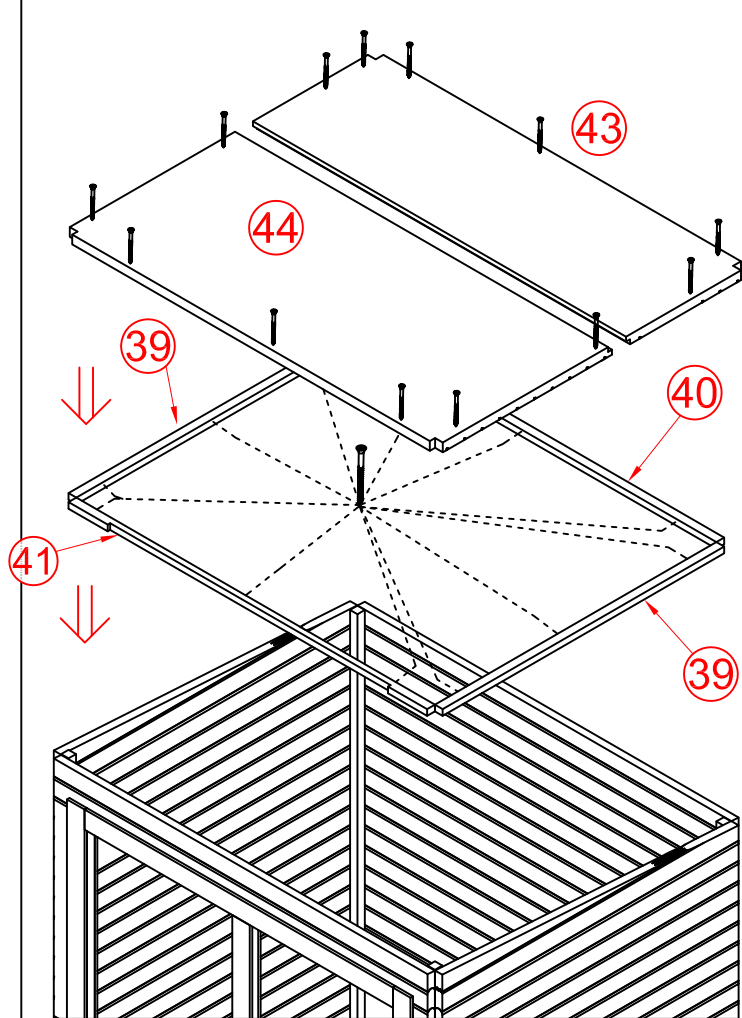
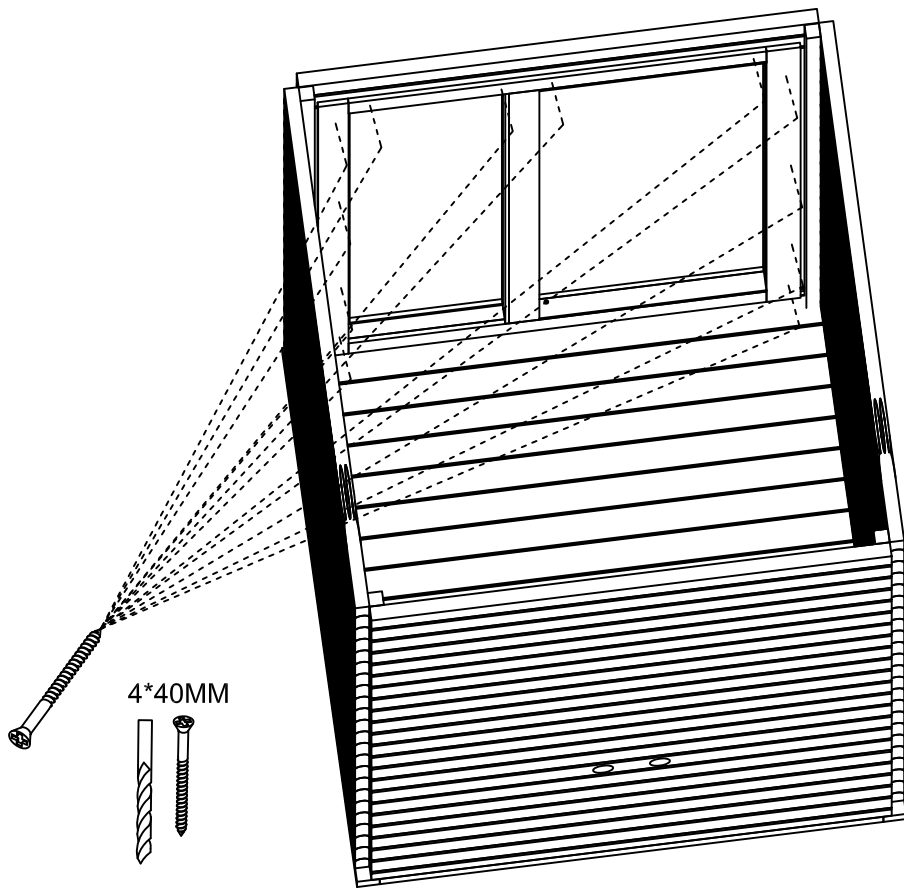


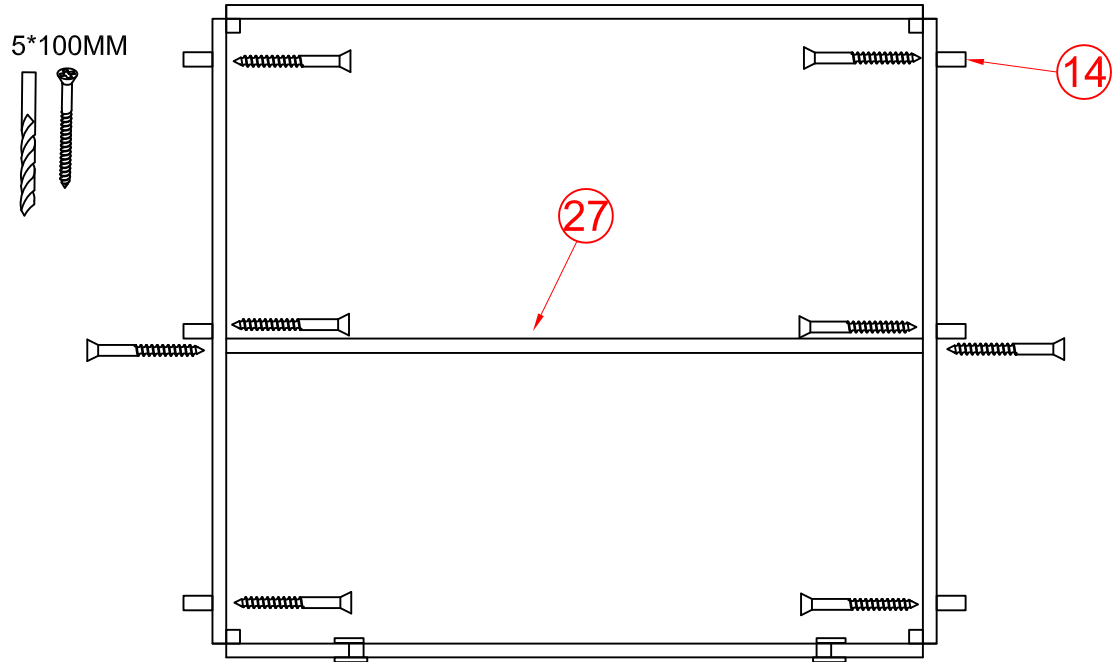
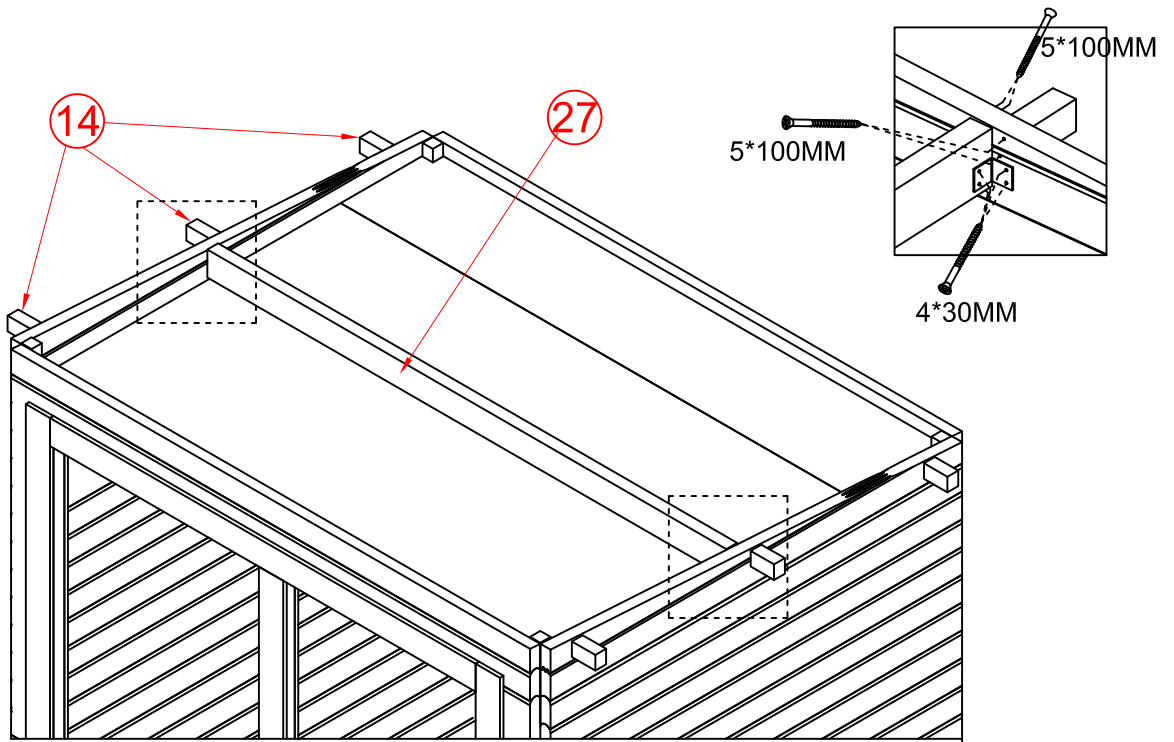


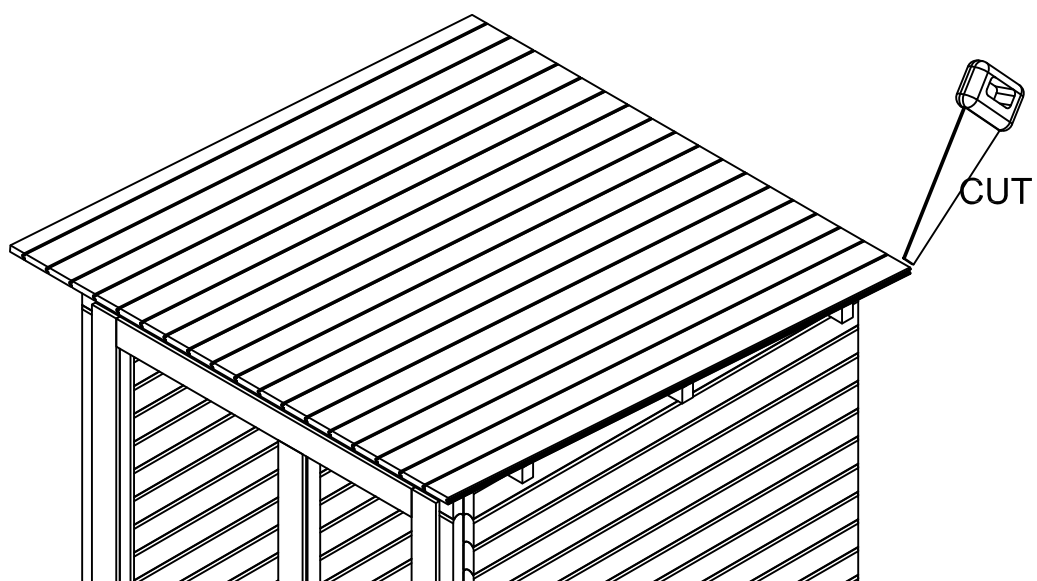
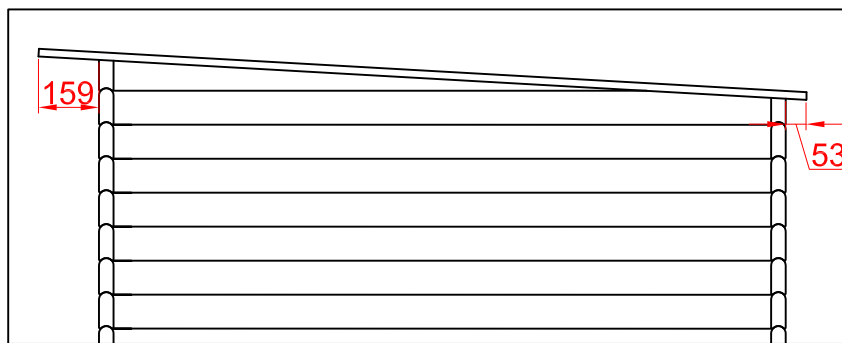
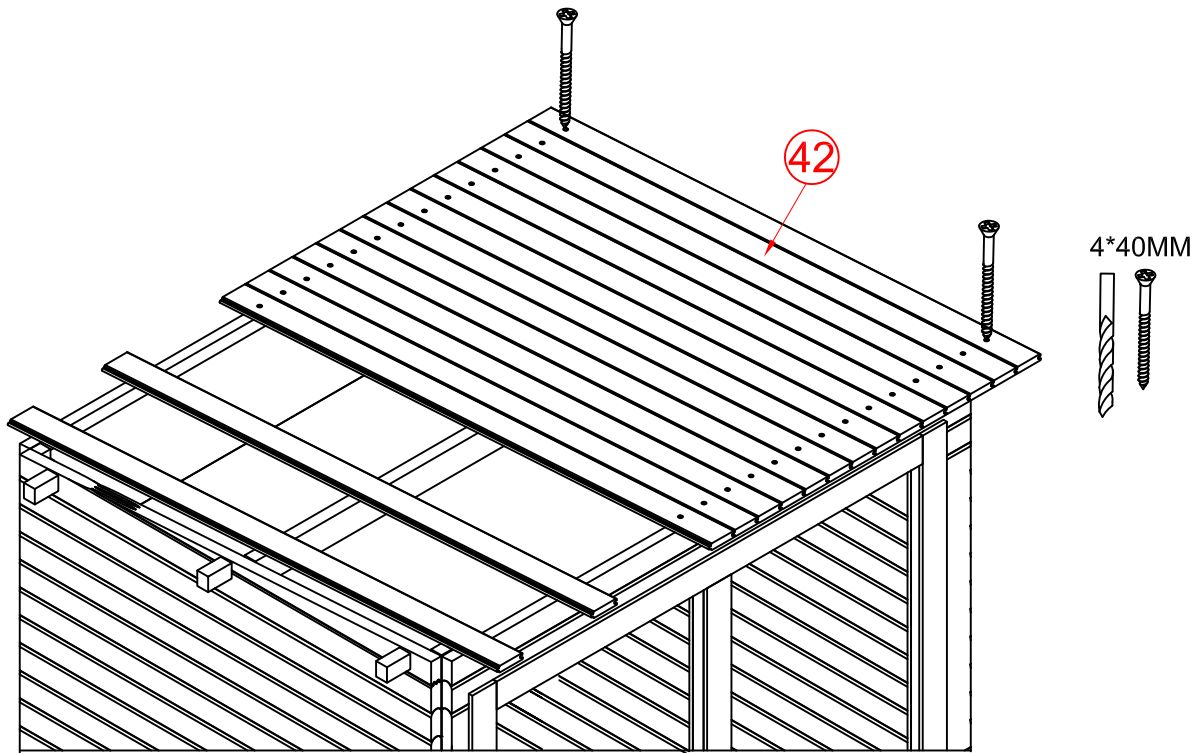


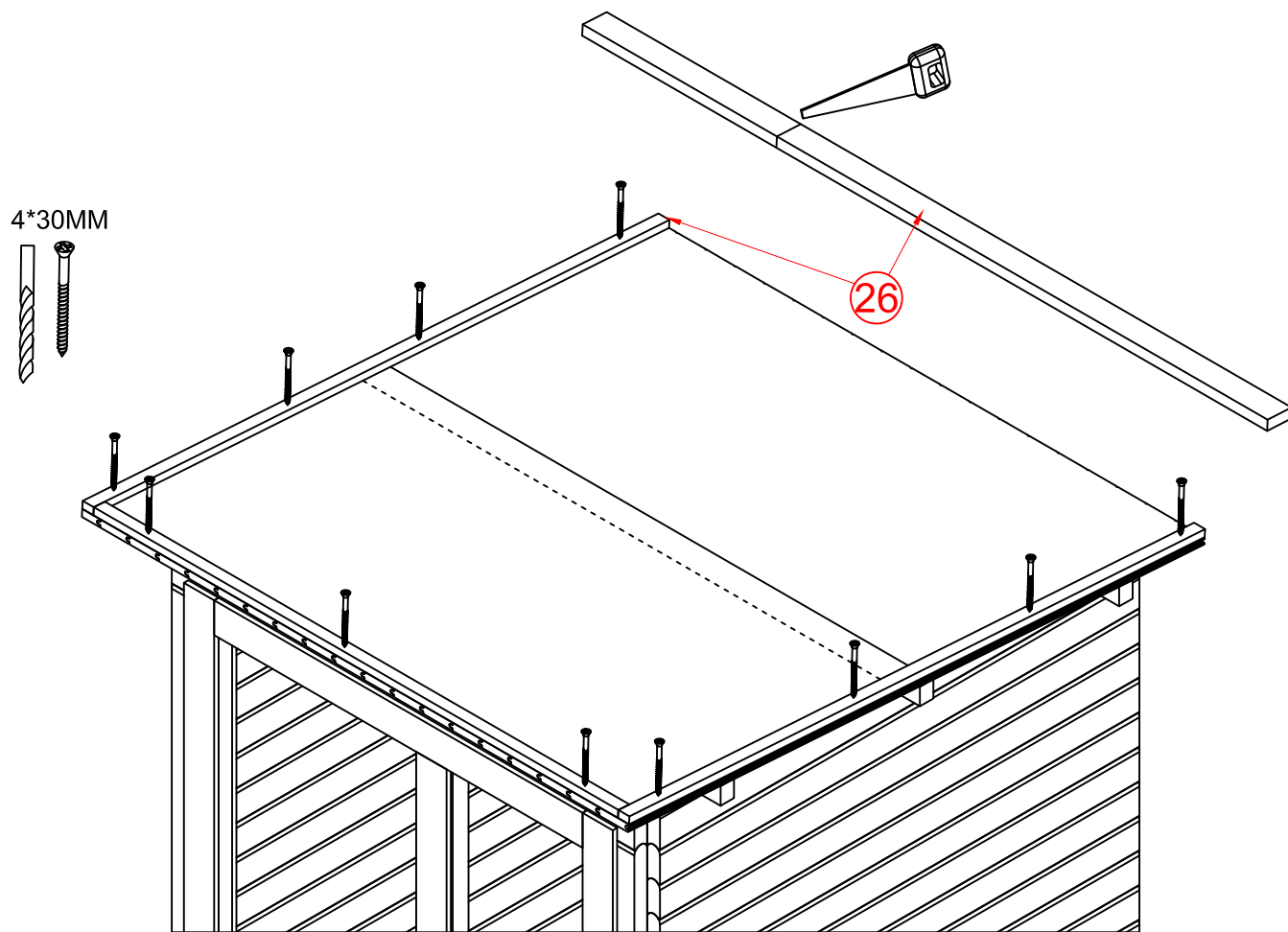
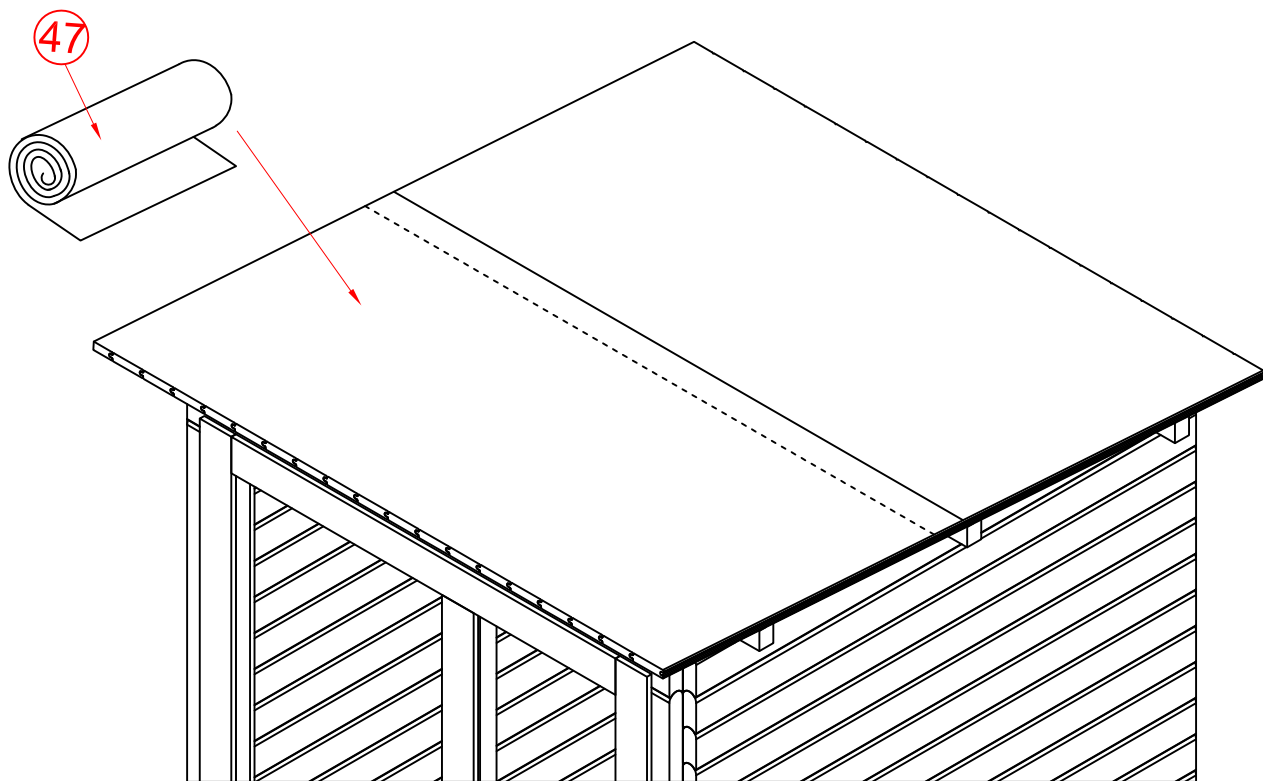
4*60MM

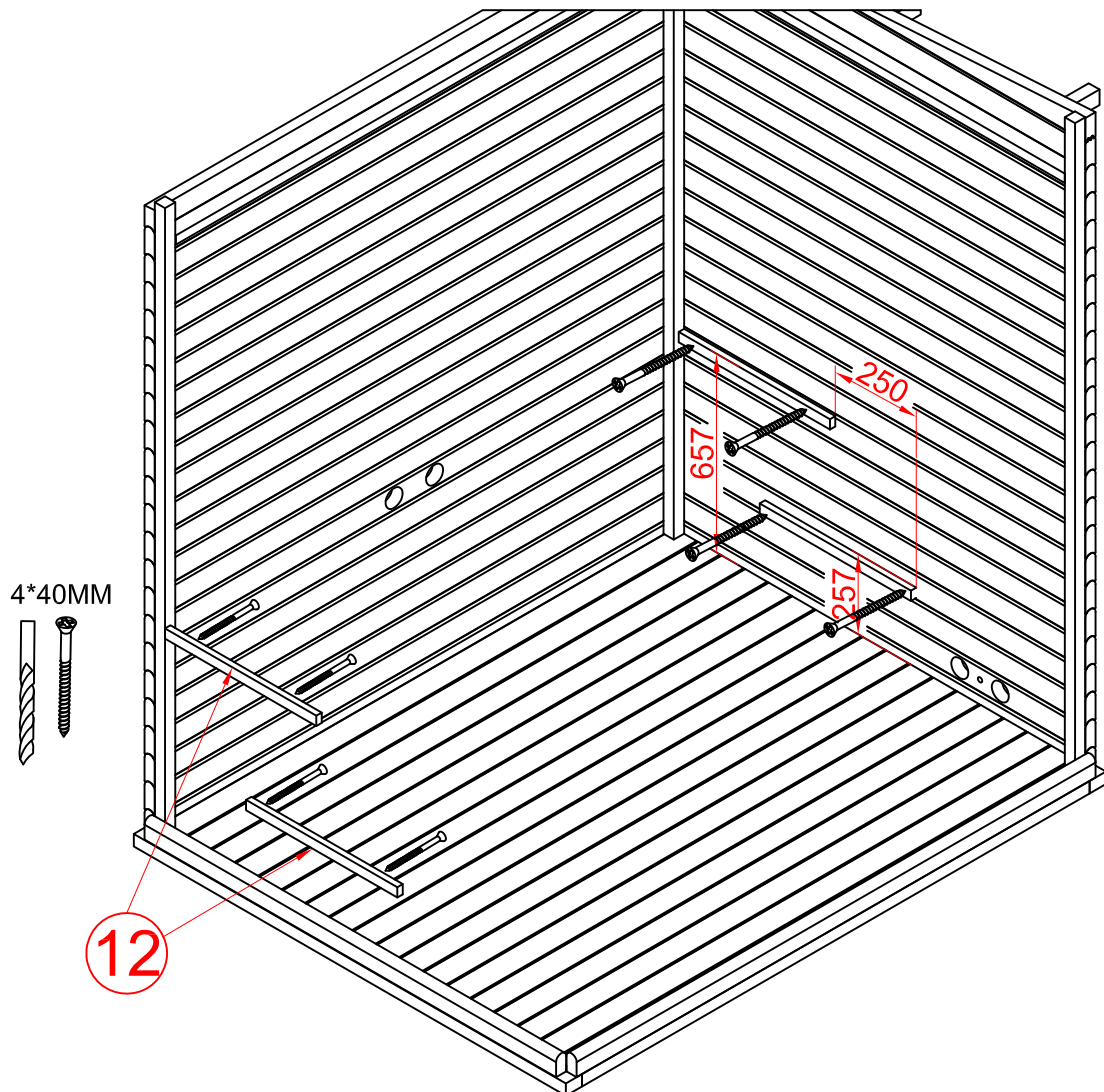
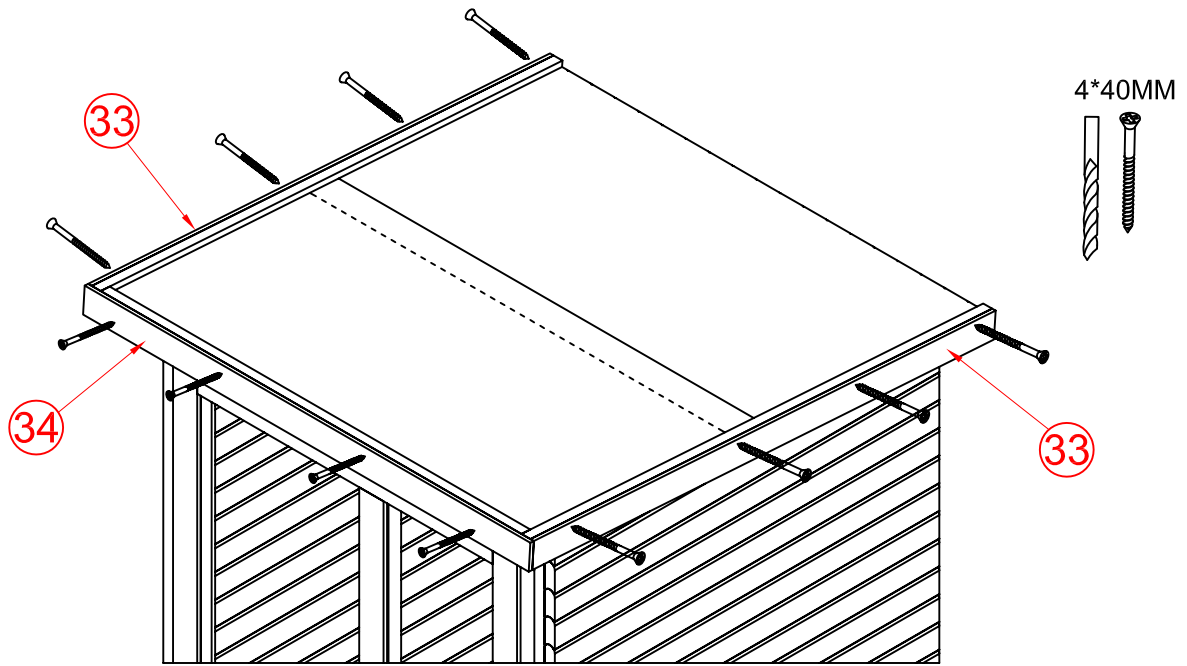




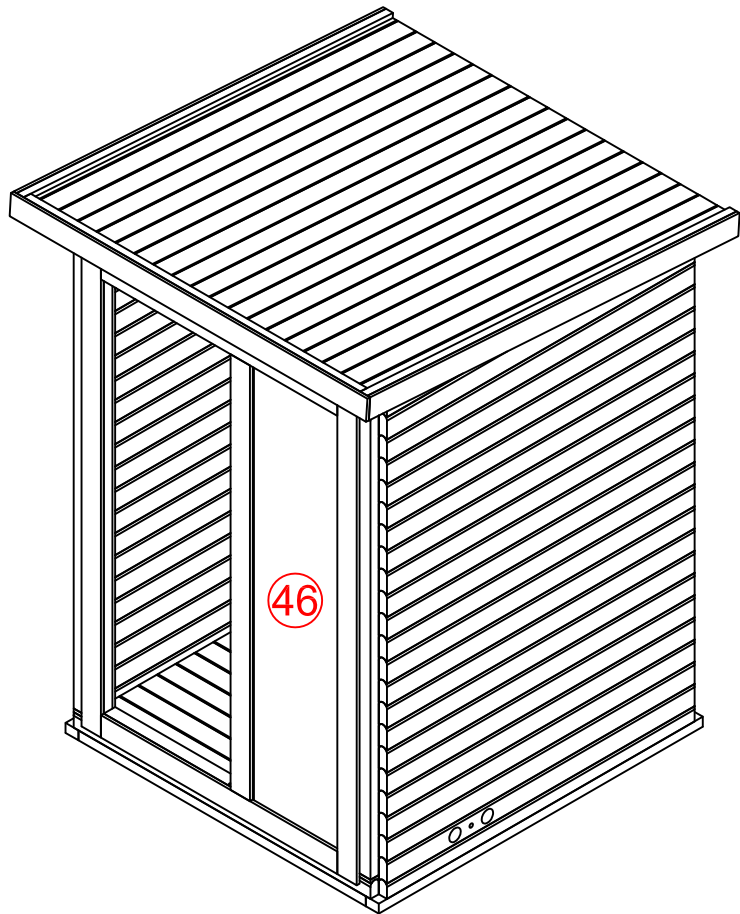
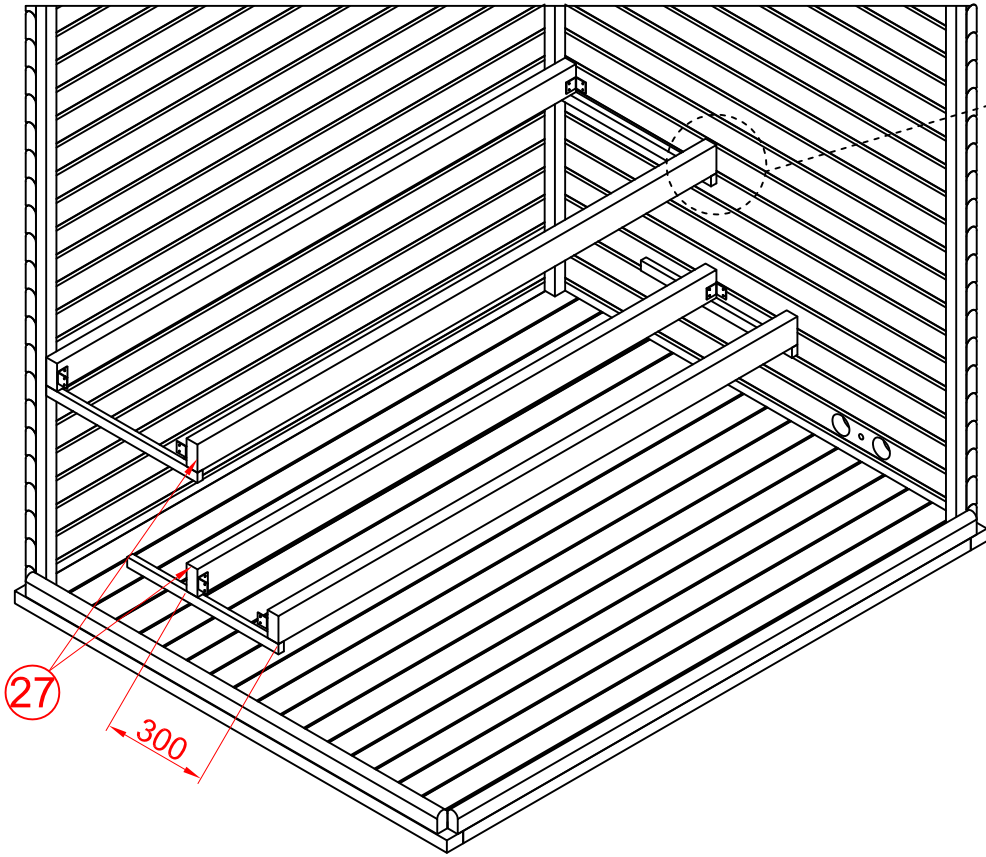
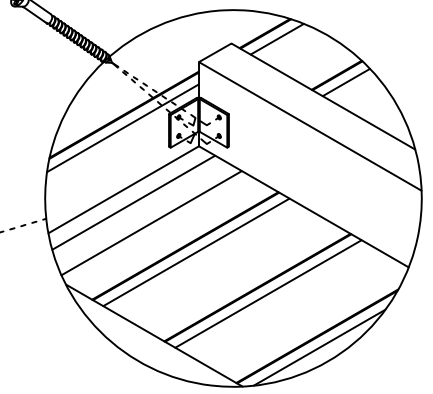




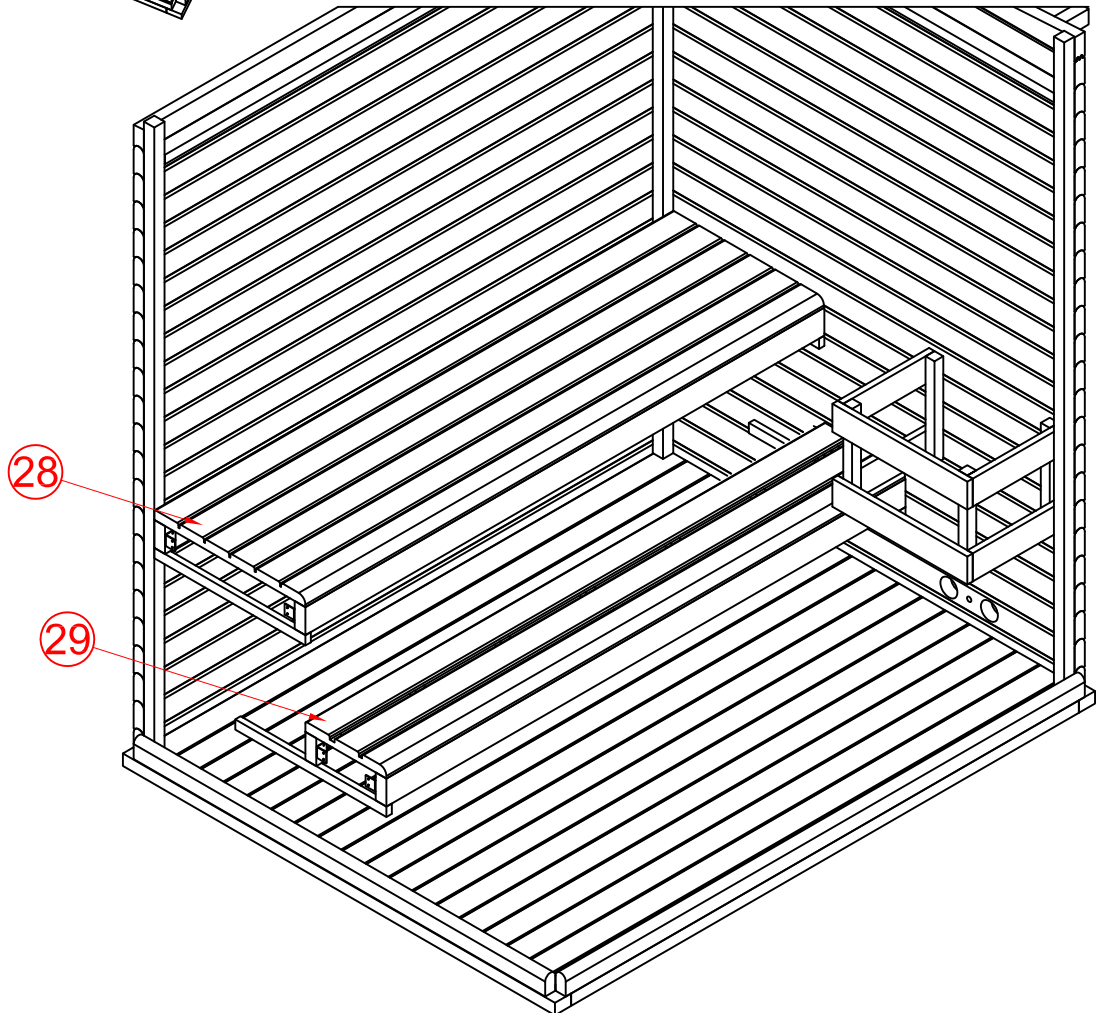
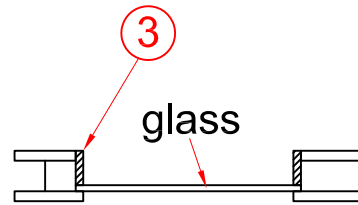
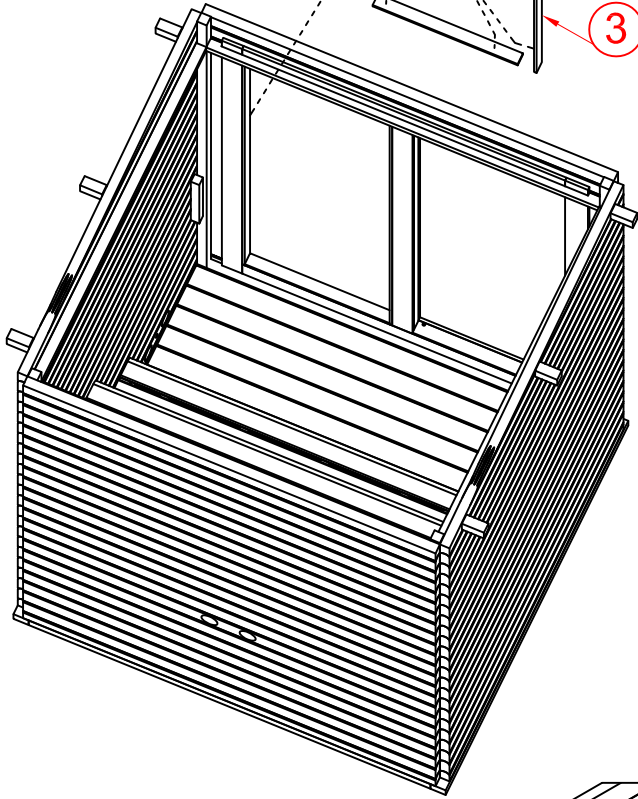
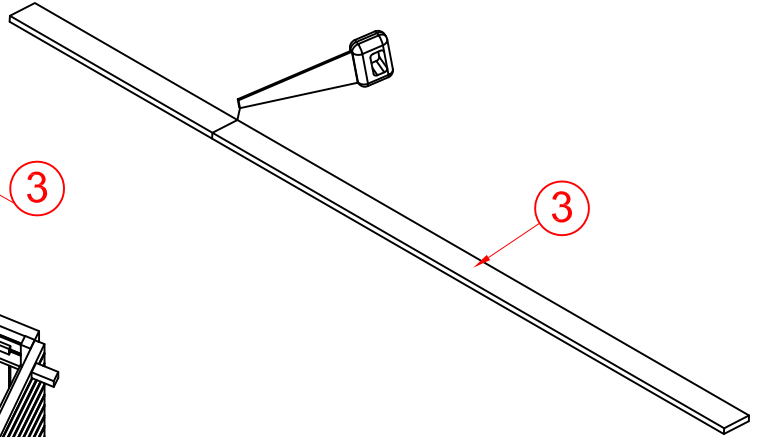
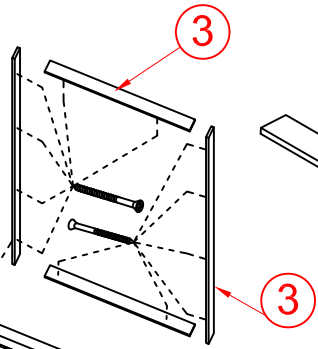
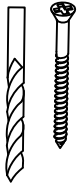


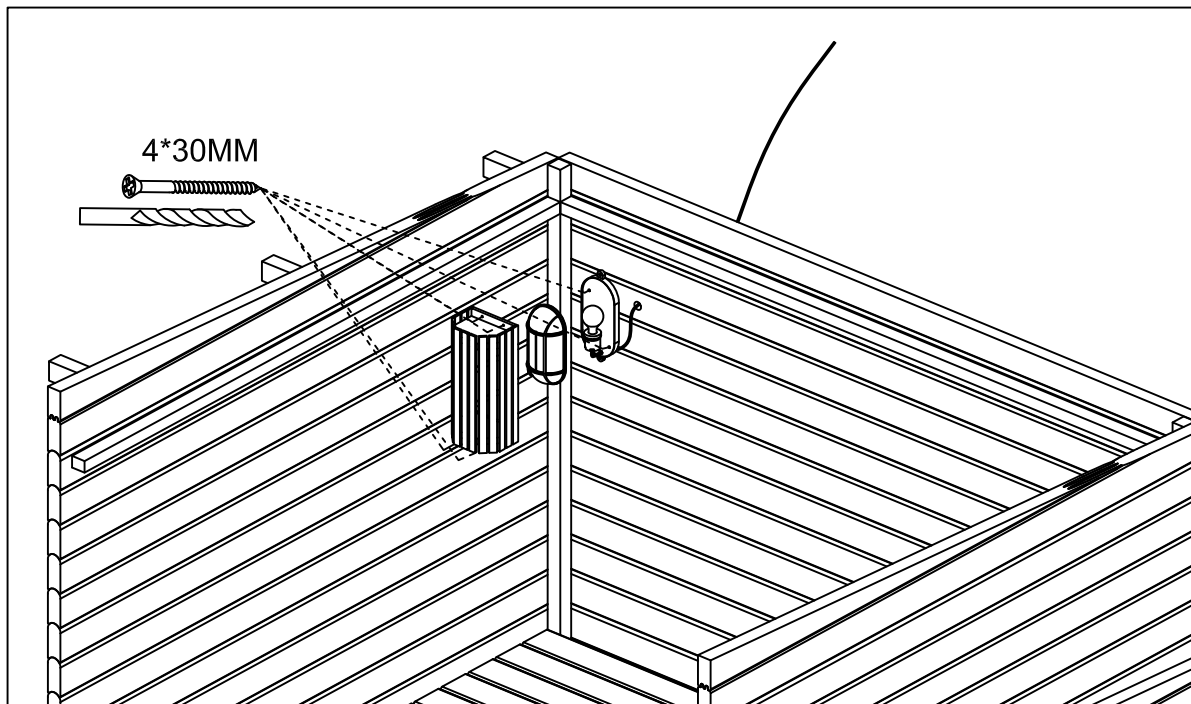
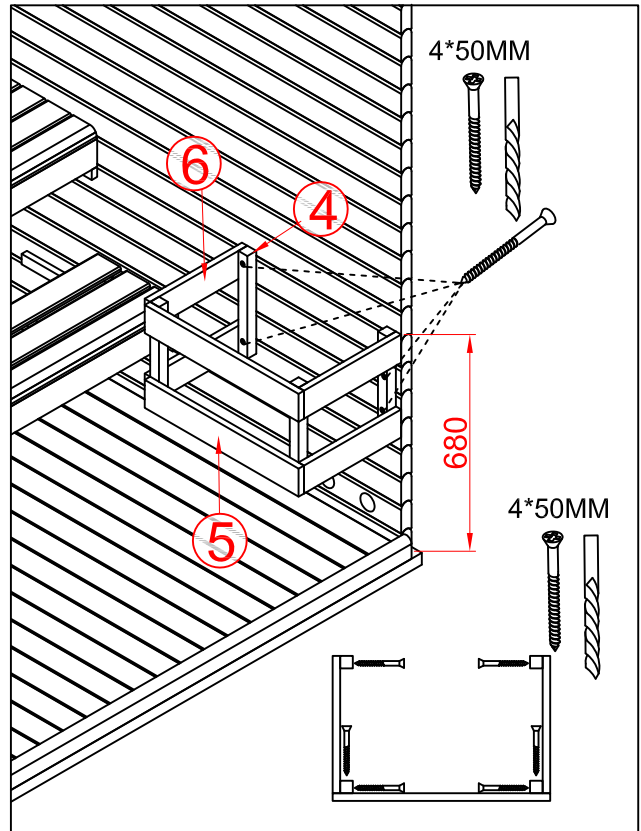
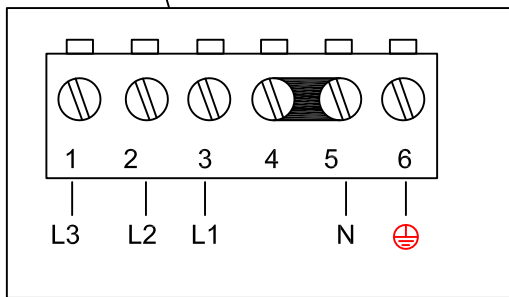
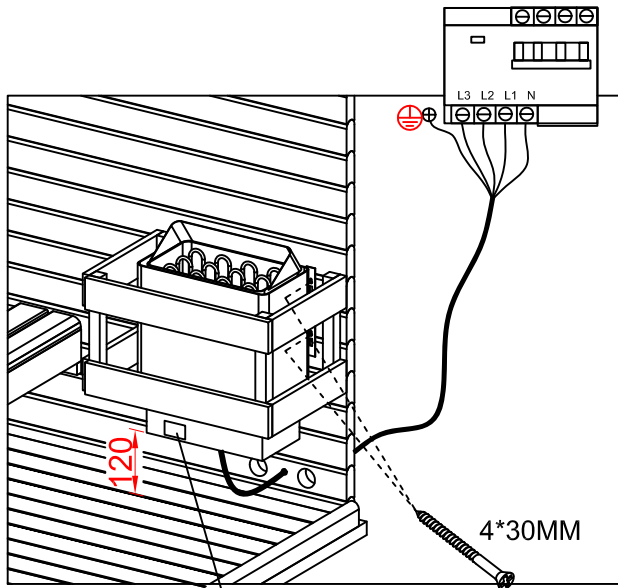


4*30MM



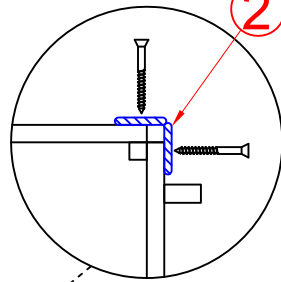
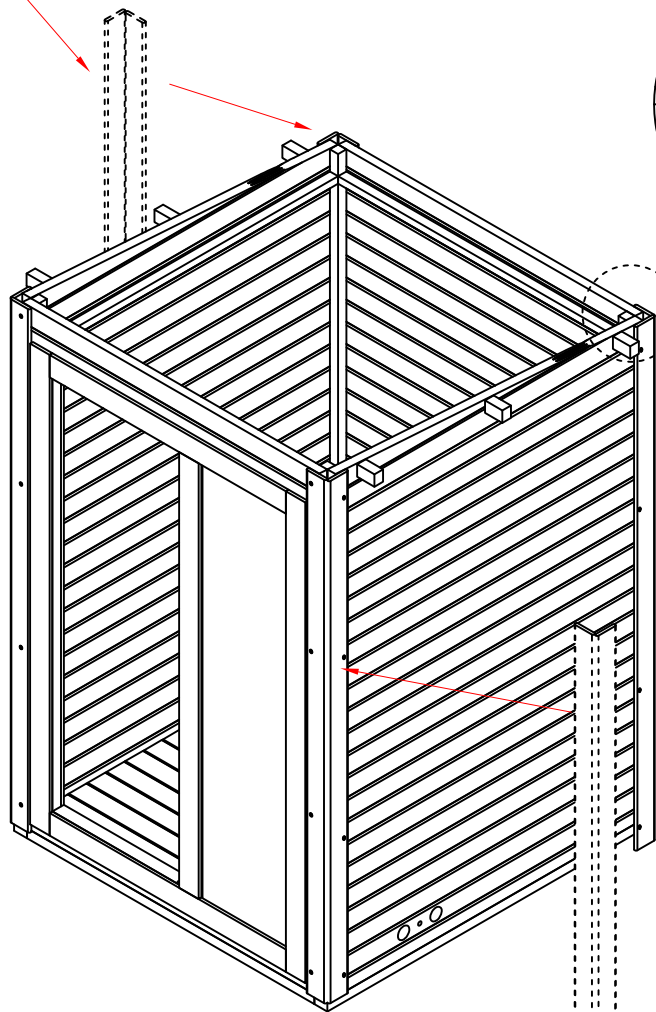
4*30MM



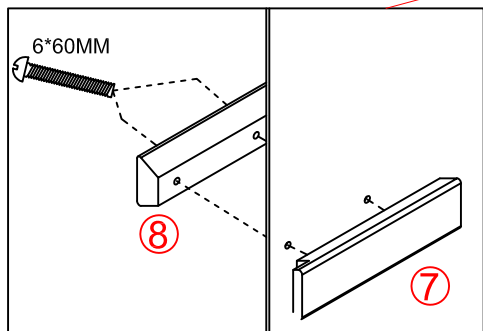
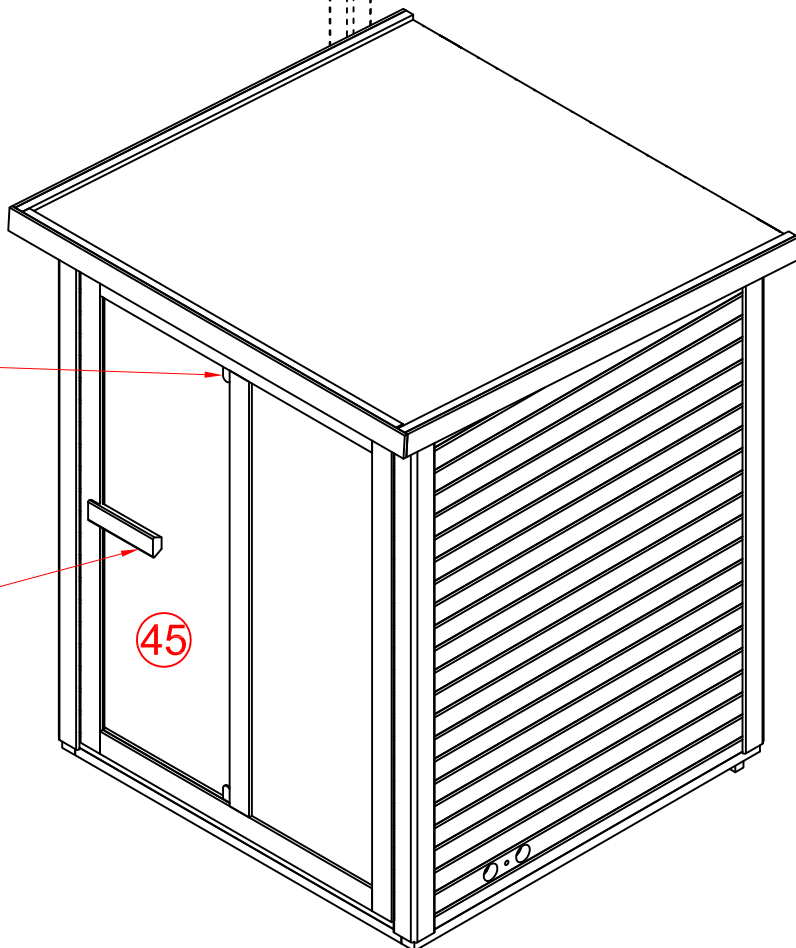
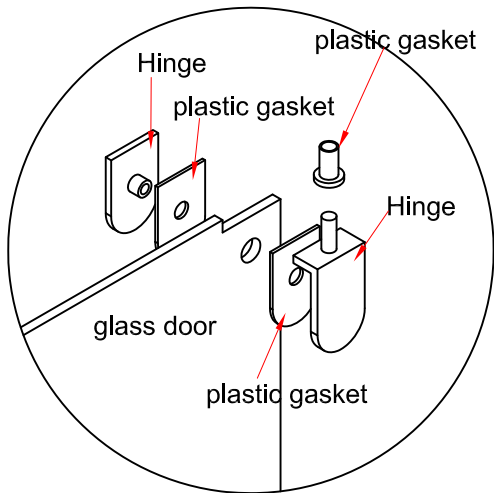
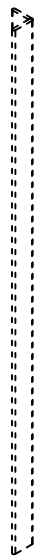
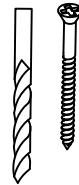


2

2

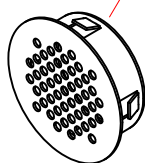
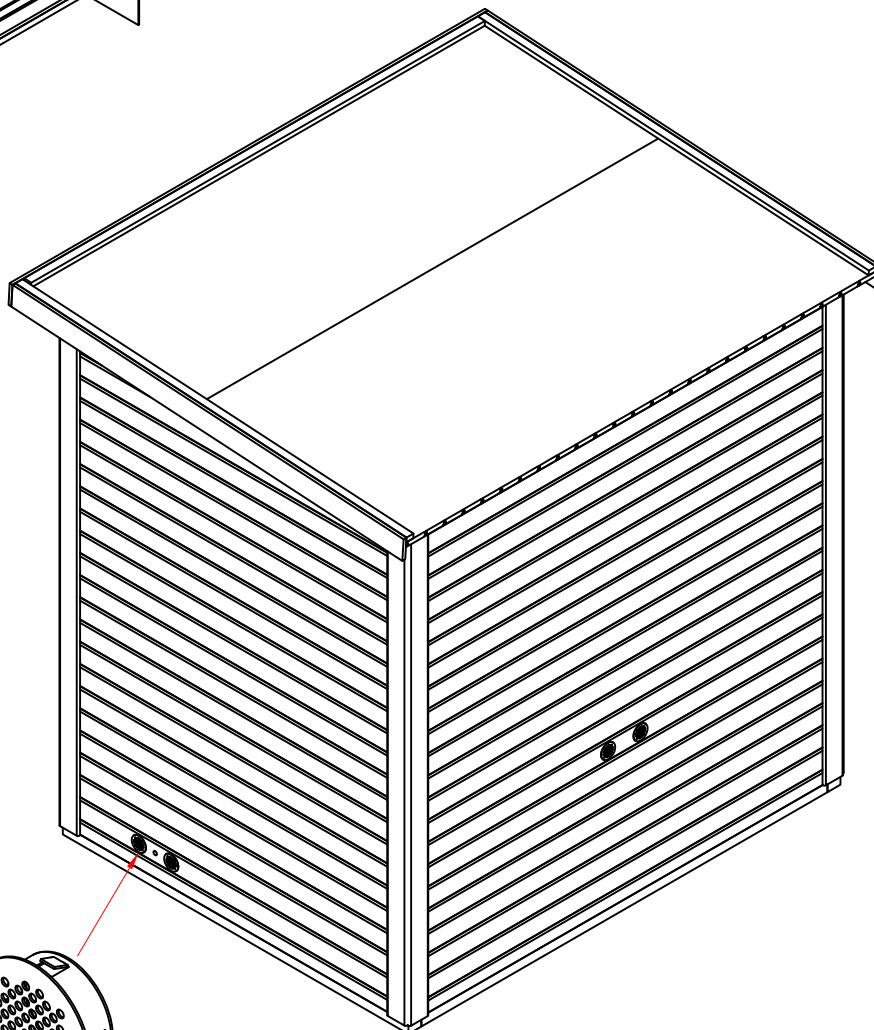
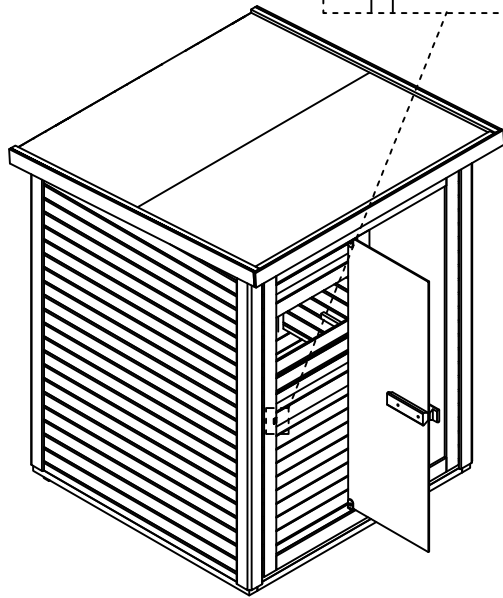
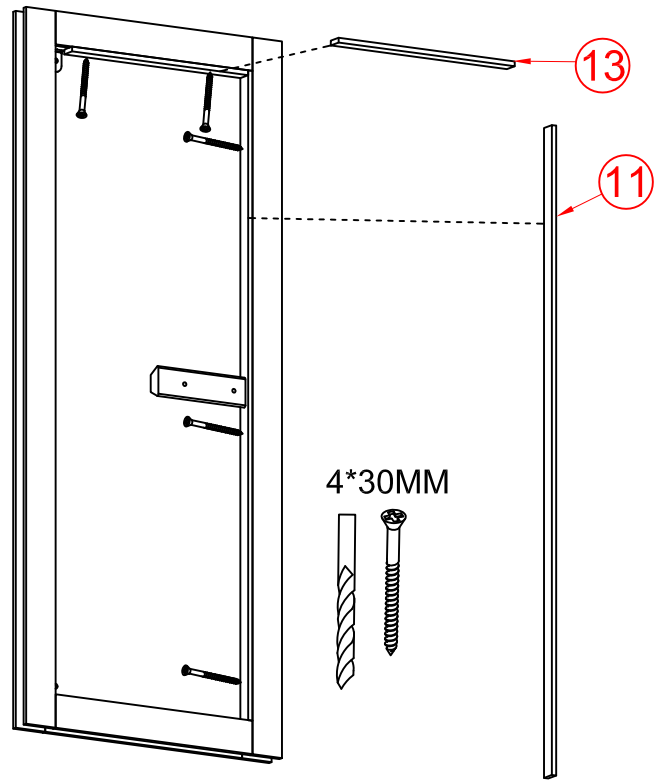
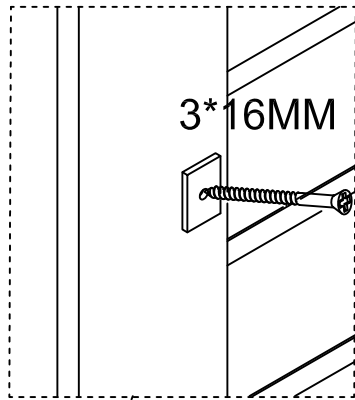


4*30MM



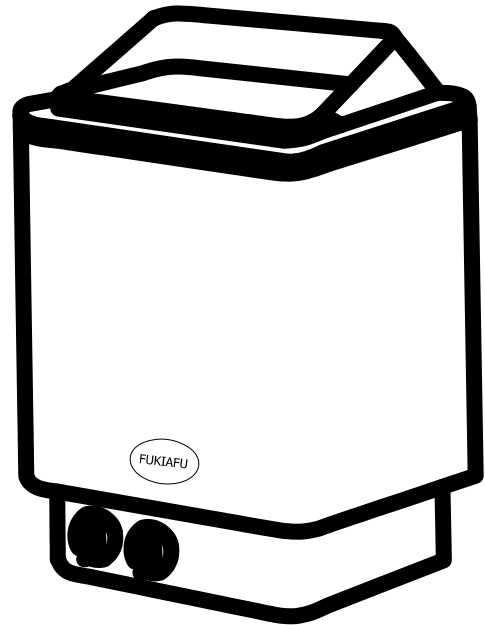
8

7



INSTALLATION MANUAL:FOR MODELS

SCA-30
SCA-45
SCA-60
SCA-80
SCA-90



SAUNA HEATER

Use ordinary drinking water only, other materials poured into the stone compartment may damage the heating elements, which is beyond our guarantee

WARNING :
PLEASE READ THIS MANUAL
CAREFULLY BEFORE USE

SAUNA ROCKS

Load adequate sauna rocks (10-15kg) into the sauna heater after finishing the installation of sauna heater and controller.

ATTENTION: Sauna rocks must be of finest qualities because temperature inside sauna heater is extremely high. Rocks not be able to withstand heat and the great heat changes easily break or get crumbling and damage the heating elements, or are easily oxidized which in return counteract the heat circulation and damage the sauna heater while being heated or being thrown water to for vapors causes.

WARNING

1. Electrical shock hazard-----there are no owner serviceable parts in sauna heater. To avoid electrical shock hazard, all installations and relevant services shall be performed by qualified personnel.

2. Sauna shall be less than half an hour. Bathing too long may cause heart beating too fast, light heartache, feeling weak or dizzy. Should the bather stop bathing immediately as soon as the above symptoms occur.

3. Sauna bath may cause tension to the bather. Thus, one who is one of the followings should be directed by physician:

A. Being pregnant B. Having heart disease C. Having high blood pressure D. Having circulation system disease E. After drinking

F. After taking medicine. G. Diabetes H. Not feeling well. 5. Risk of scald: Must not touch the sauna heater or trim during heating, as it is hot. Stay at least 30 cm away from the hot heater.

4. Children must be under the company of adult in taking sauna bath.

GUARANTEE

1. Control panel is under one year guarantee.

2. Main body of sauna heater is under one year guarantee.

3. The following situations are not guaranteed:

1) Installation or internal structure disassembling by unprofessional personnel

2) supply voltage fluctuation range ± 10

3) unqualified rocks on sauna heater's compartment

4) installation without following the dimension instruction of manual

354SkSM 110A

Heating Elements 230V/240V

Power KW	Heating Elements 230V/240V				
	SEPC 62 1000W	SEPC 63 1500W	SEPC 64 2000W	SEPC 65 2670W	SEPC 63B 3000W
3.0	1, 2, 3				
4.5		1, 2, 3			
6.0			1, 2, 3		
8.0				1, 2, 3	
9.0				1	2, 3

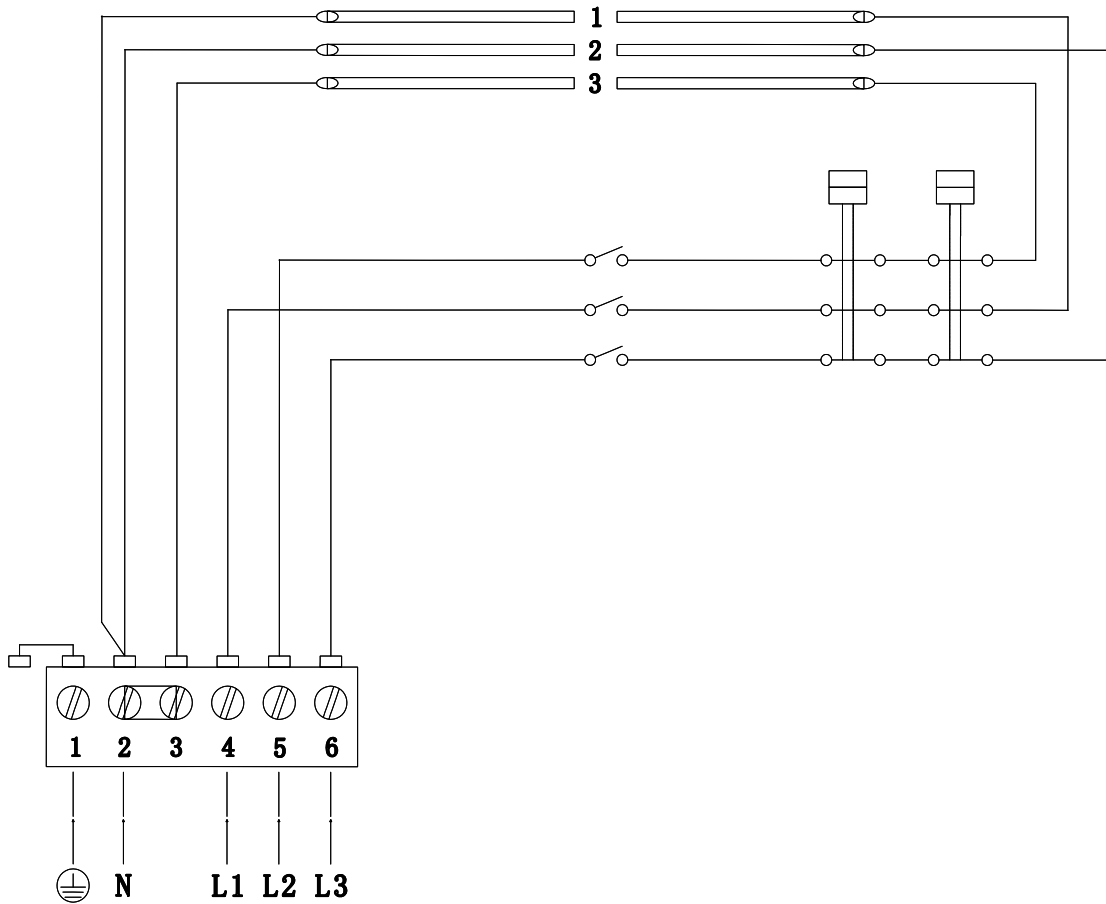
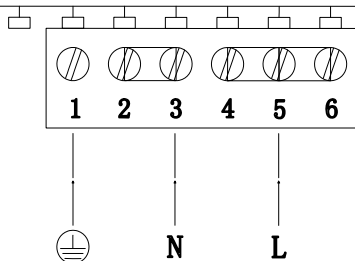


Figure 2

380V 3N~/415V 3N~



- (1) L L1 L2 L3-Connection ports of live wire
- (2) N-----Connection port of neuter wire
- (3) ⊕ -----Connection port of grounding wire

220V 1N~/240V 1N~ 4.5K/6.0mm²/3.0 2.5mm²

Figure 7

Installation

Install the sauna heater onto the wall with the screw provided in the heater, according to the minimum safety distances and volumes indicated in table 1 and figure 1, or on the plate of the heater.

-----The heater can be installed in the wall recess at the minimum height of 1900mm.

-----Do not cover the wall behind the heater with materials like asbestos or eternit plates etc, because this sort of covering protection could cause too temperature and a risk of burn.

-----Must use qualified materials for the walls and ceiling.

Guard Rails

Please follow the minimum distances requirements in figure 6 if guardrails are desired around the heater.

Connection of Electricity Supply Cable

Only the qualified electrician may conduct the electricity supply connections of the heater's cables taking into consideration of current, valid electrical safety regulations. The connecting cables of the mains supply to the heater must be of REVE rubber insulated cables or at least an equivalent (see the figure 2). There are connection ports in the junction box in sauna heater to connect the indicating lamps outside sauna (see connection ports of circuit diagram in figure 7). The section of the connecting cables is same as the one of the heater. The electricity connection box in sauna room must be of a hermetic, splashing proof type with a 7mm diameter condensation hole. The junction box should not be more than 500mm over the floor.

Sauna stones

Since the sauna stones may be dusty, we recommend that they should be rinsed before being loaded into the heater container; the largest ones should be loaded at the bottom. Do not load the stones too tight so that air can easily move between the stones whereby a good even cooling can be got for the heating elements. Reload when stones broken or crumbling so that these stones can be got out of the heater before the heating elements get damaged. The diameter of the stones is usually of 3-8 cm.

Temperature Control

The thermostat can control the temperature in an ideal condition (figure 3). Sauna heater can reach a preset temperature in 30 to 60 minutes depending on the size of sauna room. Thermostat of three phases electricity can fulfill the preservation of a good even comfortable temperature in sauna room.

Power Switch

The power switch is the main power switch of sauna heater which should be switched off while leaving sauna.

Ventilation

Good ventilation is a must for the sauna, and correctly installed ventilation creates agreeable bathing conditions, but yet still save energy. For the ventilation to be successful it is important where the ventilation openings are suited. The fresh air intake should be better situated on the wall near the bottom of the sauna heater. The diameter of air inlet must be at least 6 cm.

The exhaust opening should be better situated on the wall opposite to and as far as possible from the air intake. The diameter of the exhaust opening must be twice the size of the intake.

The exhaust opening must be situated under the bottom of the upper benches.

Noted: the upper screws must be fastened tight, the minimum distances between screw head and wall must be 3mm.

Figure 1A

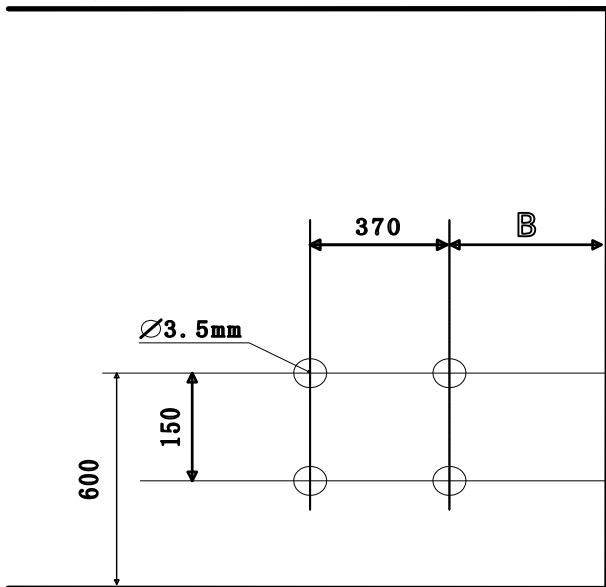


Figure 1B

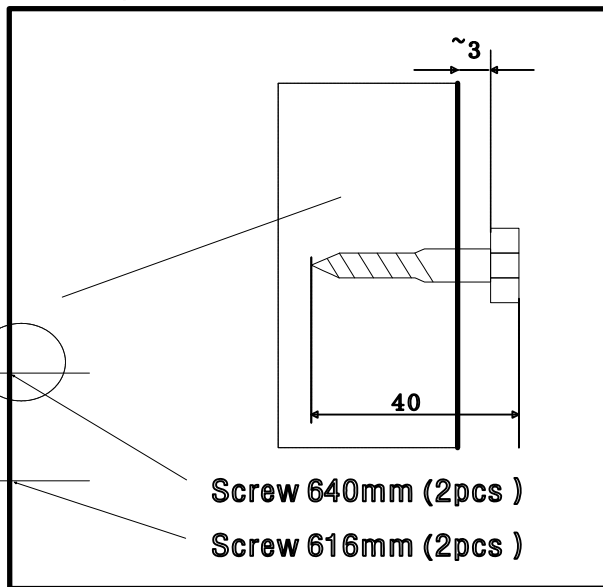


Figure 1C

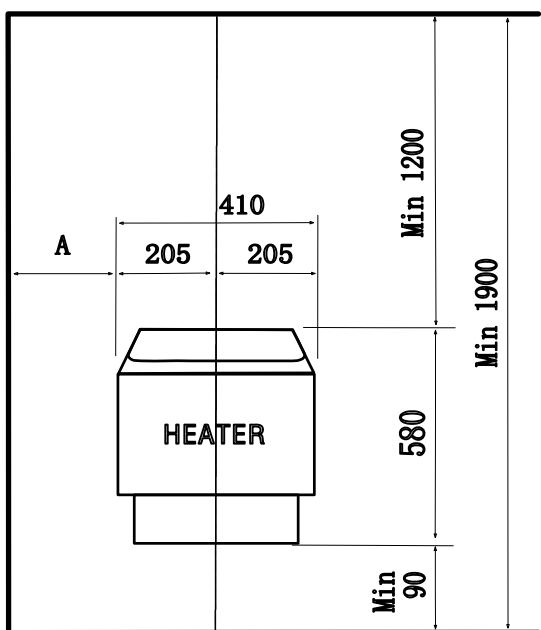


Figure 1D

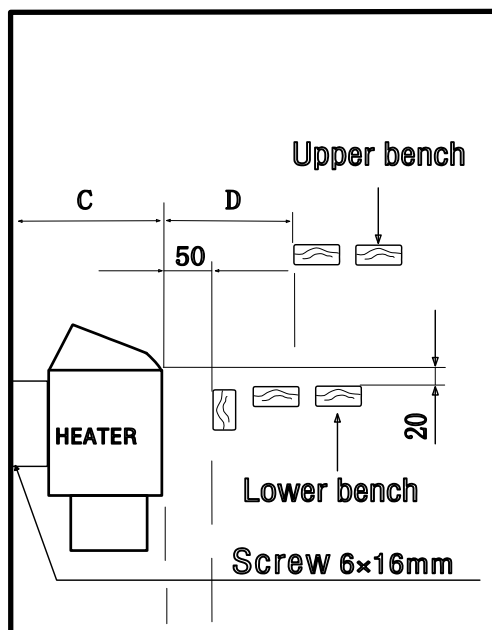


Figure 3

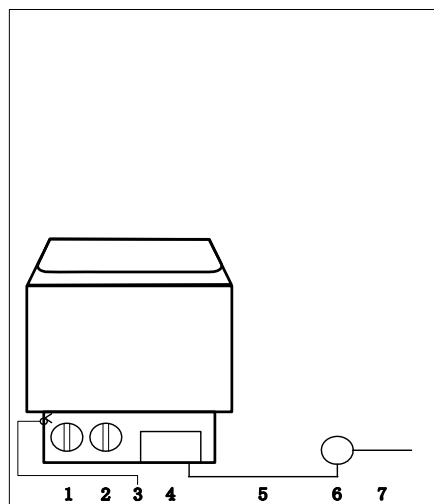


Table 1

HEATER	Distance (mm)		
	A	C	D
SCA-30	50	280	80
SCA-45	80	280	100
SCA-60	100	280	150
SCA-80	130	300	200
SCA-90	130	300	200

- 1、 Power switch
- 2、 Thermostat
- 3、 Temperature limit reposition
- 4、 Junction box
- 5、 Electricity supply cable
- 6、 Electricity connection box
- 7、 Connecting cable

Figure 4

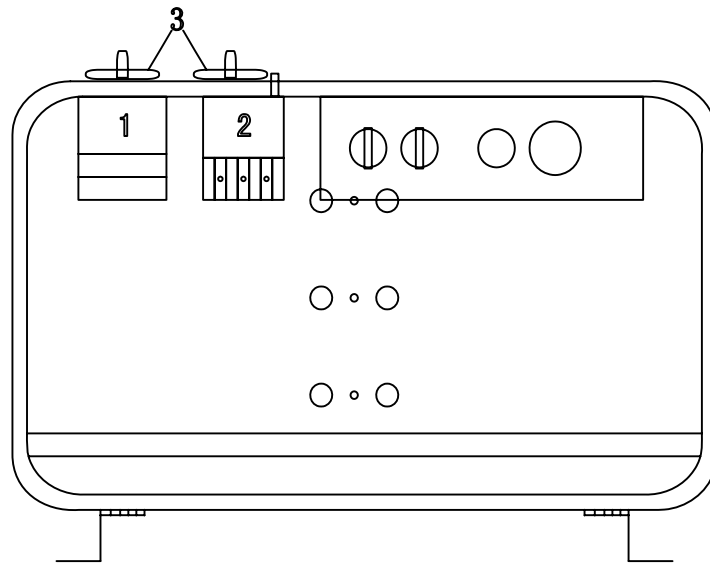


Figure 5

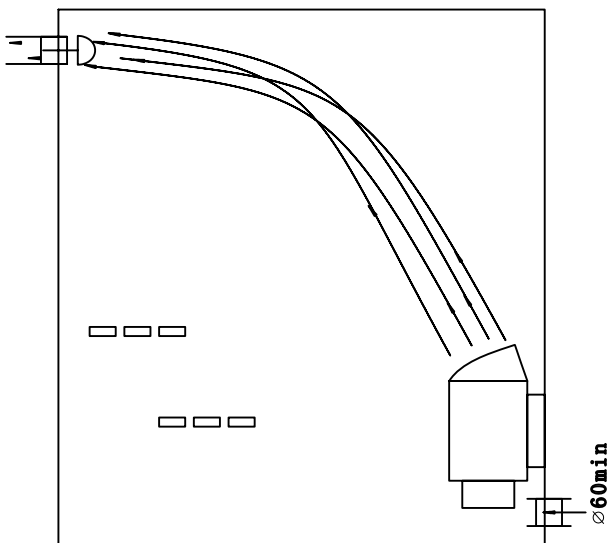


Figure 6

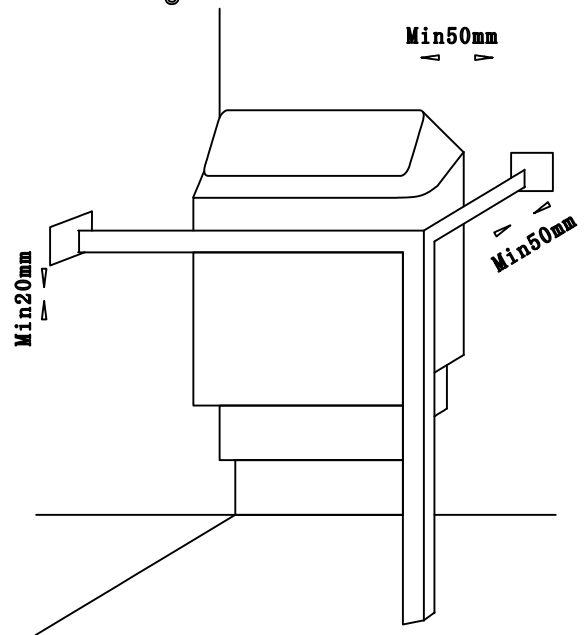


Table 2

Model	Power KW	Sauna Room		Minimum Distance From Heater to					Cables to	
		Volume m ³ Min	Max	Height min. cm	Side & Back wall min. cm	If 500mm over from floor guard rail min cm	Ceiling min cm	Floor min. cm	380V 3ph 415V 3ph mm ²	220V 1ph 240V 1ph mm ²
SCA-30	3.0	2	4	190	5	5	110	18	5X1.5	3X2.5
SCA-45	4.5	3	6	190	8	8	110	18	5X1.5	6X6
SCA-60	6.0	5	9	190	10	15	110	18	5X1.5	3X10
SCA-80	8.0	8	12	190	13	20	110	18	5X2.5	3X10
SCA-90	9.0	9	13	190	13	20	110	18	5X2.5	

SERVICE

Use instructions

Drink plenty of liquids before and after use of the infrared cabin.

Dry yourself off completely.

The optimal cabin temperature for a pleasant session lies between 35 and 60°C.

After a heating period of an hour at the latest, the cabin should be switched off and a heating brake of at least 30 minutes should be taken.

Maintenance instructions

Clean the cabin with a damp cotton towel, dry with a clean dry towel.

Clean the glass with a window/glass cleaner and a soft cloth.

Do not pour water in the control panel or clean it with wet cloth. For cleaning purposes, use a cleaning cloth that has been only slightly moistened with a mild soapy solvent (dish detergent).

Do not use chemical detergents to clean the cabin.

Please fasten the screws of the bench once every three months, avoid the loose or drop off.

It is recommended to take a warm shower and relax after use.

Notes:
